

NOTES:

1. INTERPRET DIMENSIONS AND TOLERANCES PER ASME Y14.5.

REV.	DESCRIPTION	DATE	APPROVED
A	SEE ECN 1304004	04/25/13	AK
B	SEE ECN 1308003	08/28/13	AK

SPECIFICATIONS: OG-20 OEMC

OXYGEN OUTPUT.....20 SCFH @ 20 PSI
 0.5 Nm³/hr @ 1.4 BAR

OXYGEN DEWPOINT.....-60 °F (-51 °C)

OXYGEN PURITY.....93 % ± 3 %

OXYGEN OUTLET FITTING.....1/8" FNPT

AIR INLET FITTING.....1/4" FNPT

FEED AIR REQUIREMENTS.....COMPRESSOR NOT INCLUDED ON STANDARD MODELS
 4.9 SCFM (AVG. FLOW) FOR COMPRESSOR-LESS MODELS
 AT 30-35 PSIG INCOMING PRESSURE

AIR QUALITY REQ.....ISO 8573.1 CLASS 1.4.1 MINIMUM (SEE BELOW)

SOUND LEVELS:
 STANDARD70 dBA @ 1 M

DIMENSIONS:
 STANDARD.....8 IN x 7 IN x 23.1 IN (WxDxH)
 (20.3 CM) x (17.8 CM) x (58.7 CM) (WxDxH)

APPROXIMATE WEIGHT:

STANDARD (NO COVER, NO FEET).....20 LB (9.1 KG)

POWER REQUIREMENTS:

STANDARD (NORTH AMERICA).....115 VAC, 60 HZ, SINGLE PHASE, 0.2 A

OPTIONAL (INTERNATIONAL).....230 VAC, 50 HZ, SINGLE PHASE, 0.1A

OPTIONAL (INTERNATIONAL).....230 VAC, 60 HZ, SINGLE PHASE, 0.1 A

RESPONSE TIME.....APPROXIMATELY 2 MINUTES TO ATTAIN
 MAXIMUM CONCENTRATION/PURITY AFTER
 INITIAL START-UP OR EXTENDED SHUTDOWN

POSITIONING.....THE UNIT MUST BE OPERATED IN AN UPRIGHT
 POSITION ONLY, WITH NO OBSTRUCTION
 BLOCKING AIR FLOW AROUND THE UNIT.
 6 IN MINIMUM CLEARANCE ON ALL SIDES.
 MAY BE FLOOR OR WALL MOUNTED.

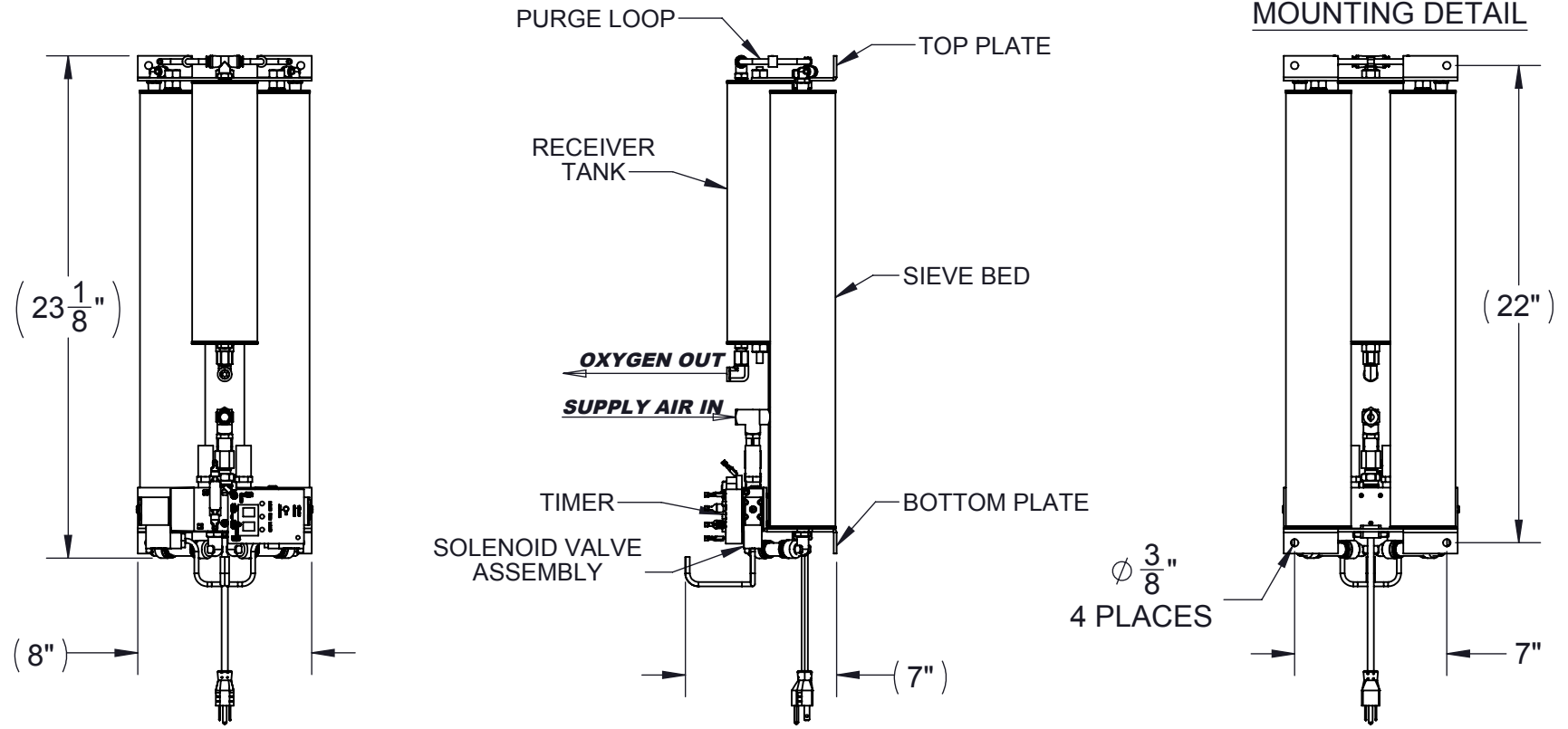
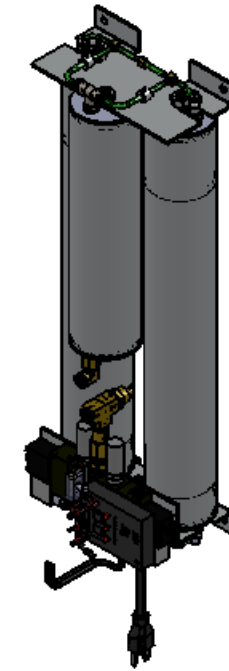
SPECIFICATIONS: ISO 8573.1 CLASS 1.4.1

DIRT PARTICLES 1-5 MICRON.....0

WATER PRESSURE DEWPOINT+37°F (940 PPM AT 100 PSIG)

OIL CONCENTRATION
 (INCLUDING VAPOR).....0.01

* A STANDARD CUBIC FOOT (SCF) IS A CUBIC FOOT OF GAS AT
 14.7 PSIA (SEA LEVEL ATMOSPHERIC PRESSURE) AND 60 °F



PROPRIETARY AND CONFIDENTIAL All drawings, descriptions, prints, specifications, etc. bearing this notice, together with the information, and ideas contained therein, are the sole and exclusive property of Audubon Machinery Corp. Any disclosure or use thereof not authorized in writing by Audubon Machinery Corp. is unlawful and will be prosecuted to the full extent of the law.		DRAWN: T. MEYER DATE: 7/18/13	DATE: 7/18/13	PART NO: 10004	DRAWING TITLE: OG20 OEMC GENERAL ARRANGEMENT DRAWING	
UNLESS OTHERWISE SPECIFIED DECIMALS: .XXX +/- .005 FRACTIONS: +/- 1/16 .XX +/- .02 ANGLES: +/- 1°		CHKD: A. KAMBLE DATE: 8/26/13	DATE: 8/26/13	STOCK NO.	QTY.	DESCRIPTION
REMOVE ALL BURRS AND BREAK SHARP EDGES 1/16" MAX				DO NOT SCALE DRAWING		
AUDUBON MACHINERY CORP.				814 Wurlitzer Dr., N. Tonawanda, NY 14120		
				SHEET: 1 OF 1		



Z:\Engineering\OGSi products\General Arrangement\CAD Drawings\10004_OG20_OEMC_GEN_ARR