

SPECS: AST-400/OST-400

CAPACITY.....1550 GALLONS (204 CU. FT.)

WEIGHT.....2600 LBS. (1000 kg)

CODE.....ASME Sec. VIII Div 1

DIMENSIONS:

Diameter.....48" (121.92 cm)

Height (w/base).....Approx. 152-1/2" (387.35 cm)

PRESSURE RATING.....150 PSI (TESTED AT 195 PSI)

FITTING SIZES.....F1=1" NPT FLAT FLANGE

F2=1/4" NPT FLAT FLANGE

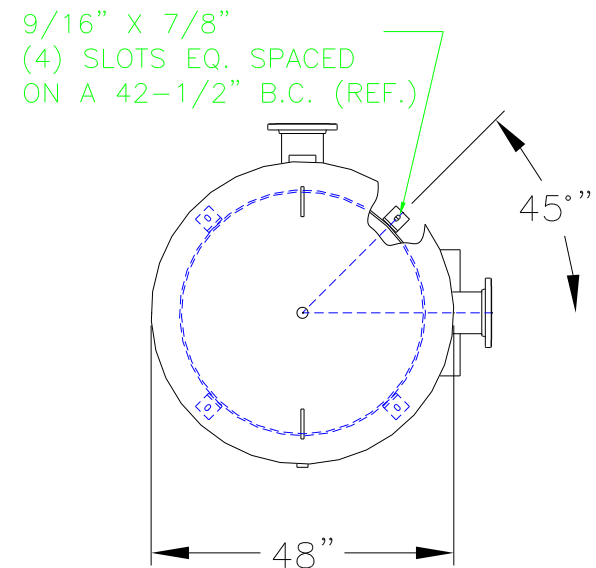
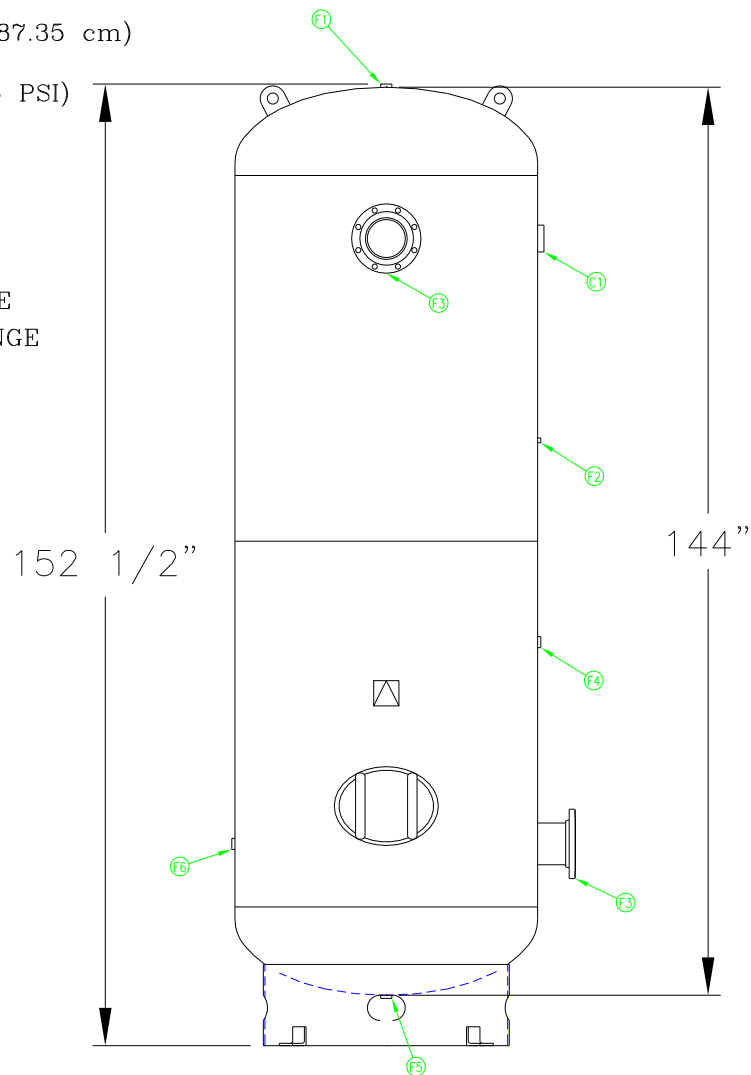
F3=6" ANSI RF.SO. FLANGE

F4=1" NPT RADIAL FLANGE

F5=1-1/4" NPT FLAT FLANGE

F6=1-1/4" NPT RADIAL FLANGE

C1=3" NPT HALF COUPLING



REVISIONS

REV	DESCRIPTION	DATE	CHK	ECN #

**OGSI**  
 70 John Glenn Drive  
 Amherst, New York 14228  
 Phone: (716) 564-5165  
 Fax: (716) 564-5173

FILE NAME  
 AST\_0ST-1550  
 GEN  
 ARR

PLOT SCALE  
 NTS  
 ENGINEER  
 J. M. McMAHON

EFFECTIVITY OR SERIAL NO.  
 DATE  
 4/2/08

DRAWN BY  
 P.LINDSAY  
 PAGE  
 1 OF 1

TITLE  
 GENERAL  
 ARRANGEMENT  
 AST-1550/OST-1550

CODE.....ASME Sec. VIII Div 1

DIMENSIONS:

Diameter.....48" (121.92 cm)

Height (w/base).....Approx. 152-1/2" (387.35 cm)

PRESSURE RATING.....150 PSI (TESTED AT 195 PSI)

FITTING SIZES.....F1=1" NPT FLAT FLANGE

F2=1/4" NPT FLAT FLANGE

F3=6" ANSI RF.SO. FLANGE

F4=1" NPT RADIAL FLANGE

F5=1-1/4" NPT FLAT FLANGE

F6=1-1/4" NPT RADIAL FLANGE

C1=3" NPT HALF COUPLING

