

SPECS: OG-100

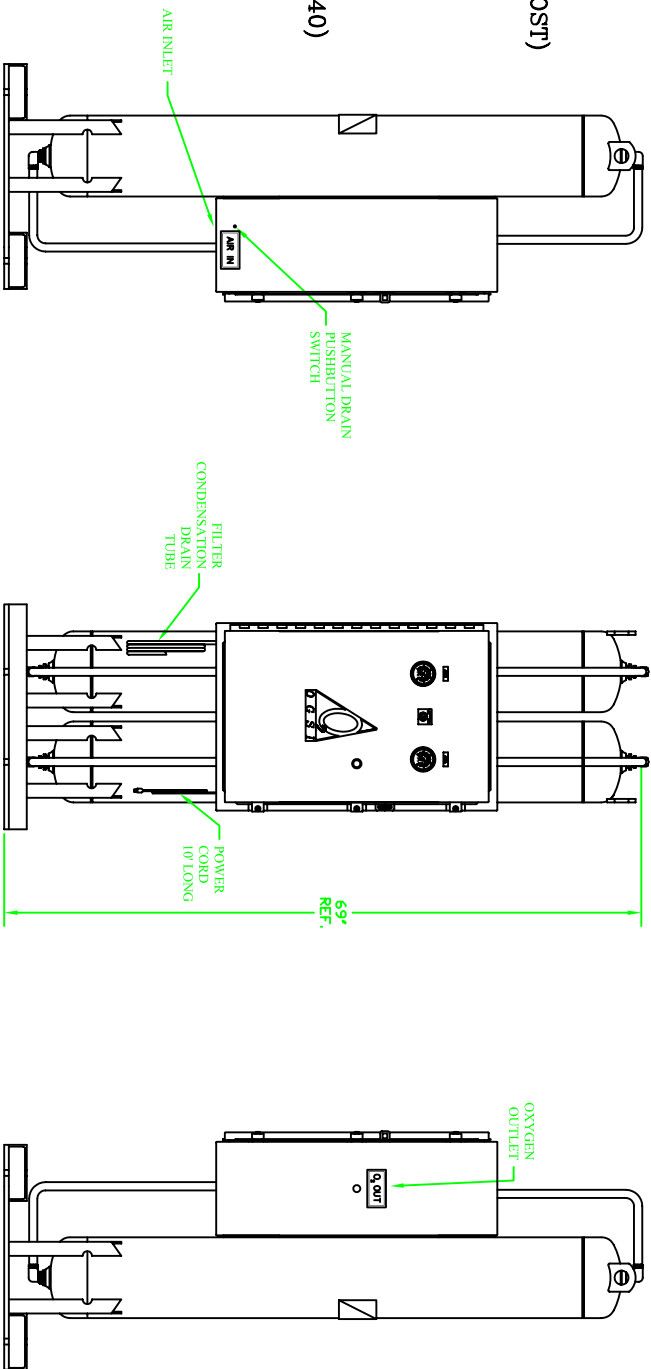
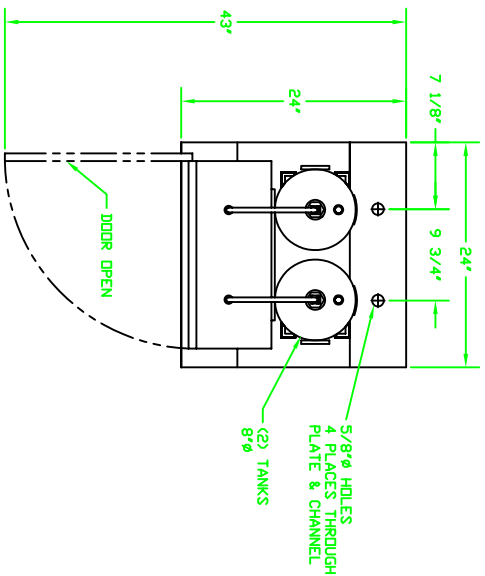
OXYGEN OUTPUT.....100 scf*/hr @ 45 psig
 DEWPOINT.....2.6 Nm³**/hr @ 310 kPa
 OXYGEN PURITY.....-100° F (-73° C)
 AIR FLOW REQ.....22 scf*/min. (avg. flow) @ 90 psig
 AIR QUALITY REQ.....0.58 Nm³**/min (avg. flow) @ 621 kPa
 SOUND LEVELS.....70dba @ 1 meter
 DIMENSIONS.....24" x 24" x 68" (WxDxH)
 WEIGHT.....61cm x 61cm x 173 cm
 POWER.....600 lbs. (272 Kg.)
 120 VAC, 60 Hz, 50 Watts or
 220 VAC, 50 Hz, 50 Watts

AIR INLET.....1/2" NPT BULKHEAD
 OXYGEN OUTLET.....1/4" NPT BULKHEAD
 (WITH "B" SIZE O2 NUT 9/16" - 18UNF - 2B)

RECOMMENDED MINIMUM AIR STORAGE (AST)
 SIZE...60 GALLONS
 RECOMMENDED MINIMUM OXYGEN STORAGE (OST)
 SIZE...60 GALLONS

SPECS: ISO 8573.1 CLASS 1.4.1

DIRT PARTICLES 1-5 MICRON.....0
 WATER PRESSURE DEWPOINT+37°F (940)
 (ppm.vol.) AT 100 psig
 OIL ppm (including vapor).....0.01



* A Standard Cubic Foot (SCF) is a cubic foot of gas at 14.7 psia (sea level atmospheric pressure) and 60 degrees Fahrenheit
 **A Normal Cubic Meter (Nm³) is a cubic meter of gas at 760mm Hg (sea level atmospheric pressure) and 0 degrees Celsius

REVISIONS				FILE NAME	PLOT SCALE	EFFECTIVITY OR SERIAL NO.	DRAWN BY	TITLE
REV	DESCRIPTION	DATE	CHK	EGN #	NTS		J.C. PALDINE	GENERAL ARRANGEMENT
A	CHANGED AIR QUALITY REQUIRED SPEC	10/25/05	JCP	05-10-036	GEN ARR REV A	10/28/03	1 OF 1	DG-100

OGSI
 814 Murkissers Drive
 N. Tonawanda, NY 14120
 Phone: (716) 664-5165
 Fax: (716) 664-5173