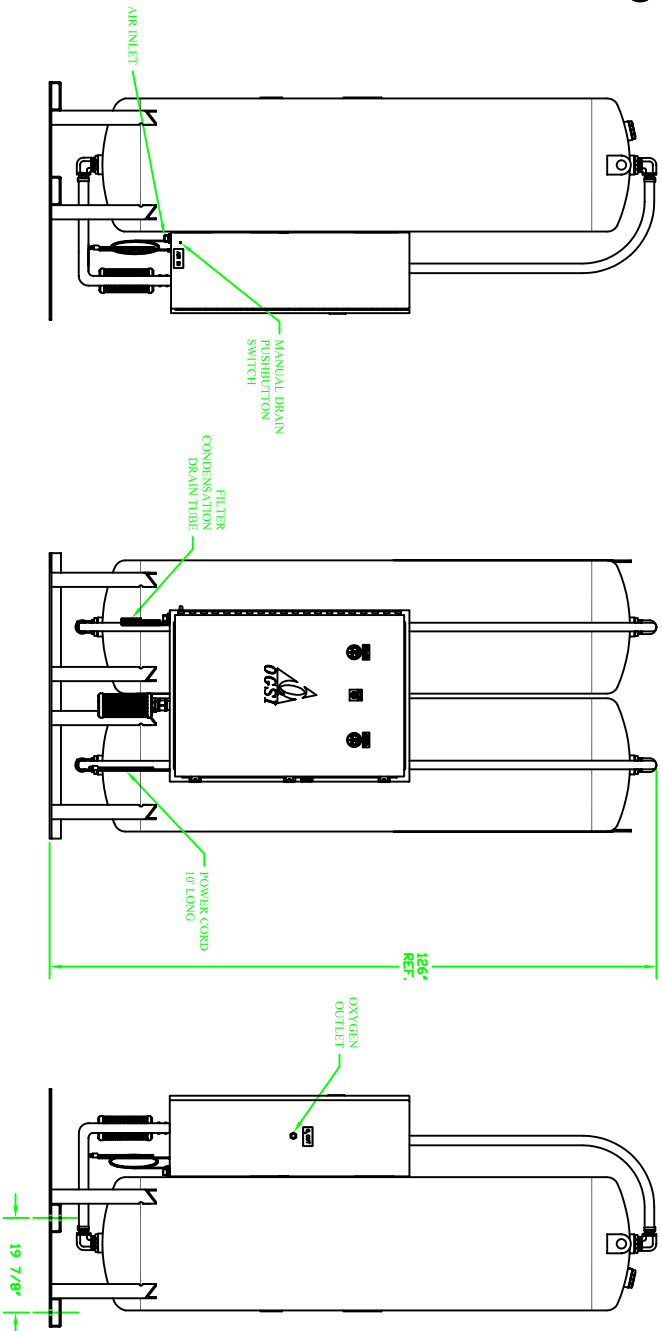
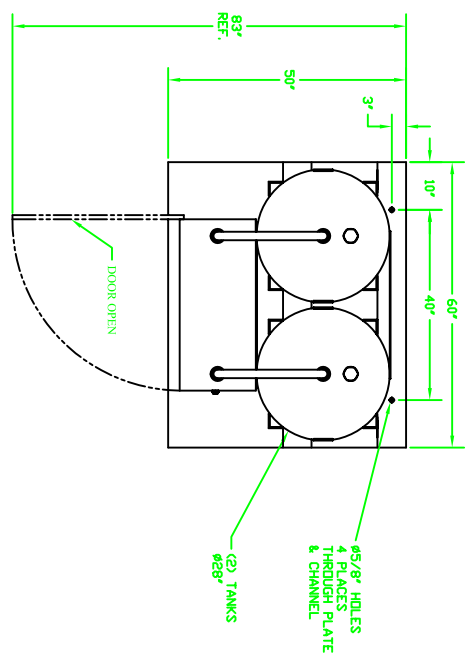


SPECS: OG-1250

OXYGEN OUTPUT.....1250 scf*/hr @ 45 psig
 32.9 Nm³**/hr @ 310 kPa
 DEWPOINT.....-100°F (-73°C)
 OXYGEN PURITY.....93% ± 3%
 AIR FLOW REQ.....225 scf*/min. (avg. flow) @ 90 psig
 5.91 Nm³**/min (avg. flow) @ 621 kPa
 AIR QUALITY REQ.....ISO 8573.1 CLASS 1.4.1 MINIMUM (see below)
 SOUND LEVELS.....75dba @ 1 meter
 DIMENSIONS.....60" x 50" x 126" (WxDxH)
 152cm x 127cm x 320cm
 WEIGHT.....4500 lbs. (2040 Kg.)
 POWER.....120 VAC, 60 Hz, 50 Watts (STD.) or
 220 VAC, 50 Hz, 50 Watts (OPTIONAL)
 AIR INLET.....1" JIC MNPT BULKHEAD
 OXYGEN OUTLET.....1/2" FNPT BULKHEAD
 (WITH 1/2" MNPT OXYGEN COUPLING)

RECOMMENDED MINIMUM AIR STORAGE TANK (AST)
 SIZE.....400 GALLON
 RECOMMENDED MINIMUM OXYGEN STORAGE TANK (OST)
 SIZE.....400 GALLON

SPECS: ISO 8573.1 CLASS 1.4.1
 DIRT PARTICLES 1-5 MICRON.....0
 WATER PRESSURE DEWPOINT.....+37°F (940)
 (ppm. vol.) AT 100 psig
 OIL ppm (including vapor).....0.01



* A Standard Cubic Foot (SCF) is a cubic foot of gas at 14.7 psia (sea level atmospheric pressure) and 60 degrees Fahrenheit
 **A Normal Cubic Meter (Nm³) is a cubic meter of gas at 760mm Hg (sea level atmospheric pressure) and 0 degrees Celsius

REVOLUTIONS		DATE	CHK	ECN #	FILE NAME	PLOT SCALE	EFFECTIVITY OR SERIAL NO.	DRAWN BY	TITLE
REV	DESCRIPTION								
A	CHANGED AIR QUALITY REQUIRED SPEC	10/23/03	JCP	03-10-035	OGSI 814 Warrtisser Drive N. Tonawanda, NY 14120 Phone: (716) 664-5165 Fax: (716) 664-5173	NTS	10/30/03	J.C. PALONE	GENERAL ARRANGEMENT
					DG-1250 GEN ARR REV A	ENGINEER J. M. McMAHON		PAGE 1 OF 1	DG-1250