

SPECS: OG-1500

OXYGEN OUTPUT.....1500 scf*/hr @ 45 psig
 39.43 Nm³**/hr @ 310 kPa

DEWPOINT.....-100°F (-73°C)

OXYGEN PURITY.....93% ± 3%

AIR FLOW REQ.....280scf*/min. (avg. flow) @ 90 psig
 8.0 Nm³**/min (avg. flow) @ 621 kPa

AIR QUALITY REQ.....ISO 8573.1 CLASS 1.4.1 MINIMUM (see below)

SOUND LEVELS.....80dba @ 1 meter

DIMENSIONS.....75" x 57" x 102" (WxDxH)
 191cm x 144.8cm x 264.1cm

WEIGHT.....9,500 lbs. (4309 Kg.)

POWER.....120 VAC, 60 Hz, 50 Watts (STD.) or
 220 VAC, 50 Hz, 50 Watts (OPTIONAL)

AIR INLET.....1-1/2" JIC

OXYGEN OUTLET.....3/4" NPT

RECOMMENDED MINIMUM AIR STORAGE TANK (AST)
 SIZE.....660 GALLON

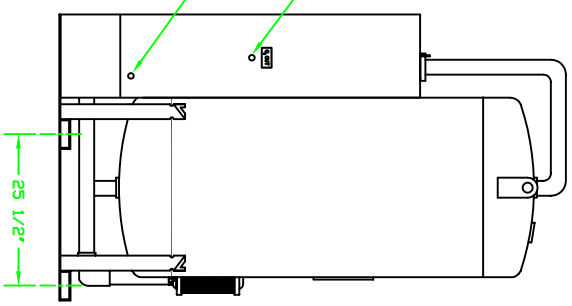
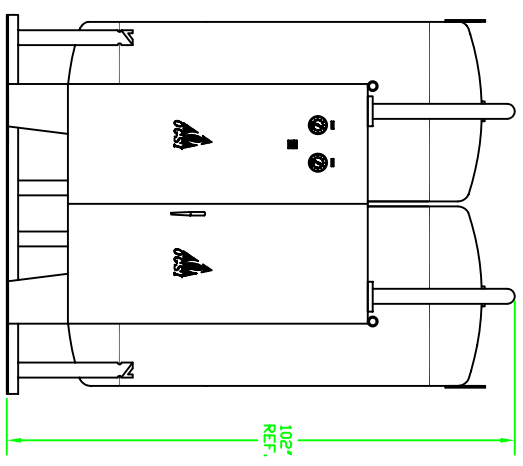
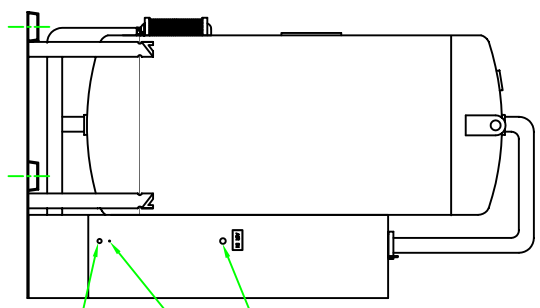
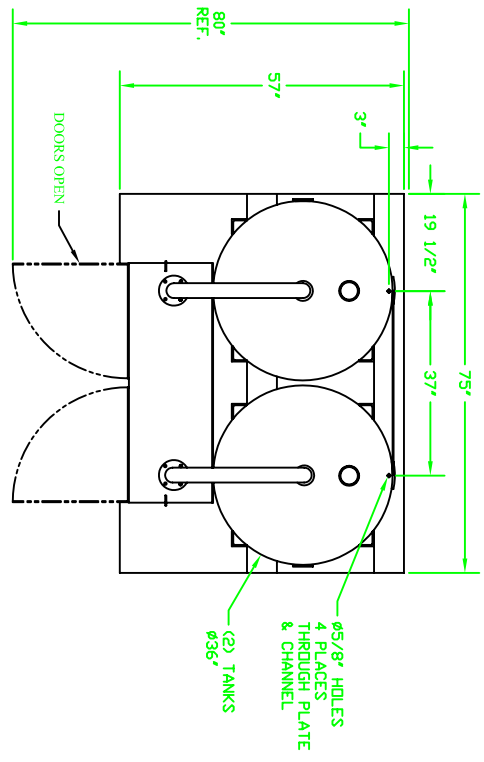
RECOMMENDED MINIMUM OXYGEN STORAGE TANK (OST)
 SIZE.....660 GALLON

SPECS: ISO 8573.1 CLASS 1.4.1

DIRT PARTICLES 1-5 MICRON.....0

WATER PRESSURE DEWPOINT.....+37°F (940)
 (ppm. vol.) AT 100 psig

OIL ppm (including vapor).....0.01



* A Standard Cubic Foot (SCF) is a cubic foot of gas at 14.7 psia (sea level atmospheric pressure) and 60 degrees Fahrenheit

**A Normal Cubic Meter (Nm³) is a cubic meter of gas at 760mm Hg (sea level atmospheric pressure) and 0 degrees Celsius

REVISIONS				FILE NAME	PLLOT SCALE	EFFECTIVITY OR SERIAL NO.	DRAWN BY	TITLE
REV	DESCRIPTION	DATE	CHK	DG-1500	NTS		J.C. PALDINE	GENERAL ARRANGEMENT
A	CHANGED AIR QUALITY REQUIRED SPEC	10/25/05	JCP	OGSI 814 Murkisser Drive N. Tonawanda, NY 14120 Phone: (716) 664-5165 Fax: (716) 664-5173	GEN ARR REV A	10/30/03	1 OF 1	DG-1500