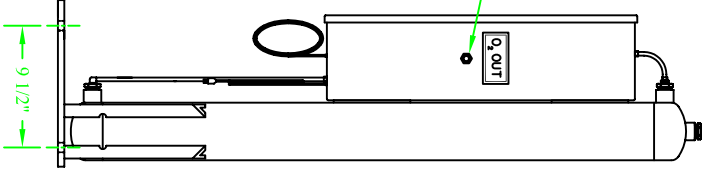
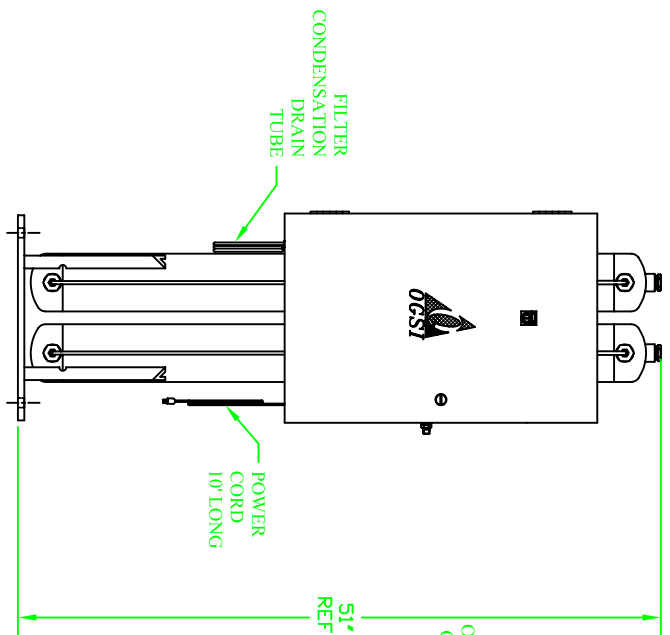
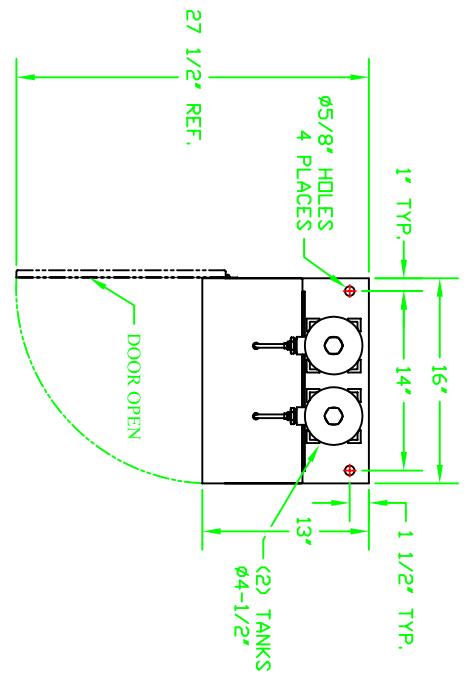
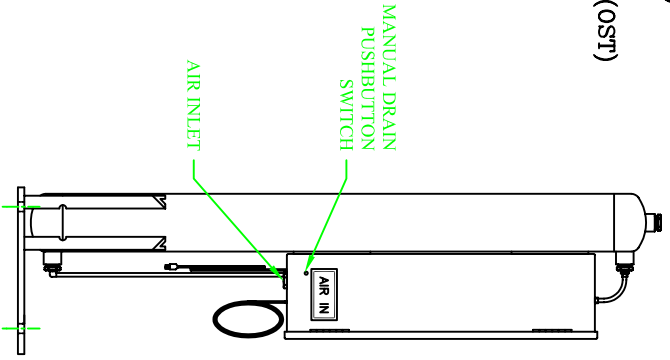


**SPECS: OG-25**

OXYGEN OUTPUT..... 25 scf\*/hr @ 45 psig  
 0.66 Nm<sup>3</sup>\*/hr @ 310 kPa  
 DEWPOINT.....-100° F (-73° C)  
 OXYGEN PURITY.....93% ± 3%  
 AIR FLOW REQ.....6.5 scf\*/min. (avg. flow) @ 90 psig  
 0.17 Nm<sup>3</sup>\*/min (avg. flow) @ 621 kPa  
 AIR QUALITY REQ.....ISO 8573.1 CLASS 1.4.1 MINIMUM (see below)  
 SOUND LEVELS.....70dba @ 1 meter  
 DIMENSIONS.....16" x 13" x 50" (WxDxH)  
 41cm x 33 cm x 127 cm  
 WEIGHT.....125 lbs. (56.7 Kg.)  
 POWER.....120 VAC, 60 Hz, 50 Watts or  
 220 VAC, 50 Hz, 50 Watts  
 AIR INLET.....1/4" NPT BULKHEAD  
 OXYGEN OUTLET.....1/4" NPT BULKHEAD  
 (WITH "B" SIZE O2 NUT 9/16" - 18UNF - 2B)  
 RECOMMENDED MINIMUM AIR STORAGE TANK (AST)  
 SIZE.....60 GALLONS  
 RECOMMENDED MINIMUM OXYGEN STORAGE TANK (OST)  
 SIZE.....60 GALLONS

**SPECS: ISO 8573.1 CLASS 1.4.1**

DIRT PARTICLES 1-5 MICRON.....0  
 WATER PRESSURE DEWPOINT.....+37°F (940)  
 (ppm. vol.) AT 100 psig  
 OIL ppm (including vapor).....0.01



\* A Standard Cubic Foot (SCF) is a cubic foot of gas at 14.7 psia (sea level atmospheric pressure) and 60 degrees Fahrenheit  
 \*\*A Normal Cubic Meter (Nm<sup>3</sup>) is a cubic meter of gas at 760mm Hg (sea level atmospheric pressure) and 0 degrees Celsius

REV	DESCRIPTION	DATE	CHK	EON #
A	CHANGE AIR QUALITY REQUIRED SPEC	10/25/05	JCP	05-10-036

**OGSI**  
 814 Murkisser Drive  
 N. Tonawanda, NY 14120  
 Phone: (716) 664-5165  
 Fax: (716) 664-5173

FILE NAME  
 DG-25  
 GEN ARR  
 REV A

PLOT SCALE  
 NTS  
 ENGINEER  
 J. M. McMAHON

EFFECTIVITY OR SERIAL NO.  
 DATE  
 10/28/03

DRAWN BY  
 J.C. PALONE  
 PAGE  
 1 OF 1

TITLE  
 GENERAL ARRANGEMENT  
 DG-25