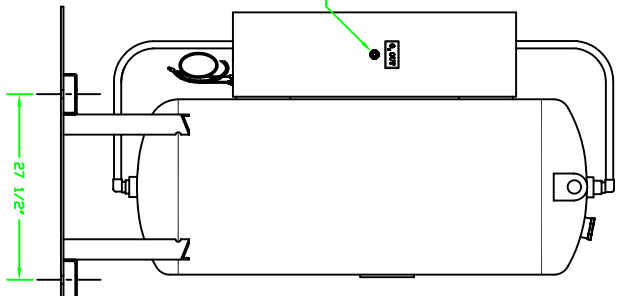
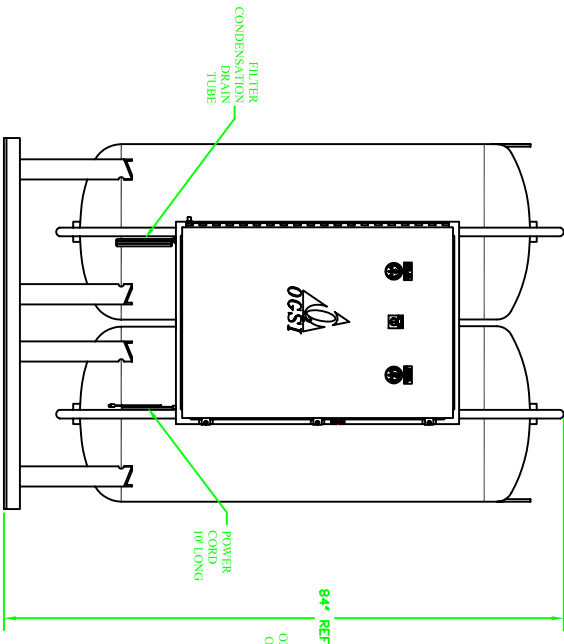
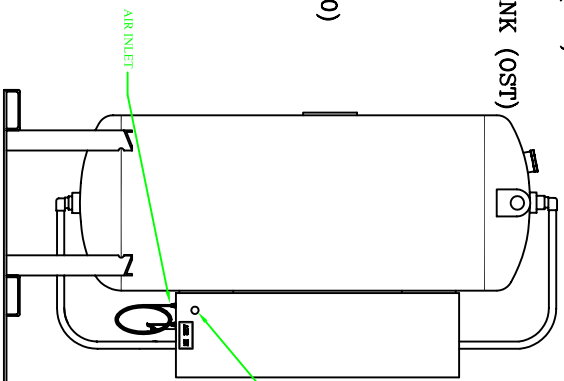
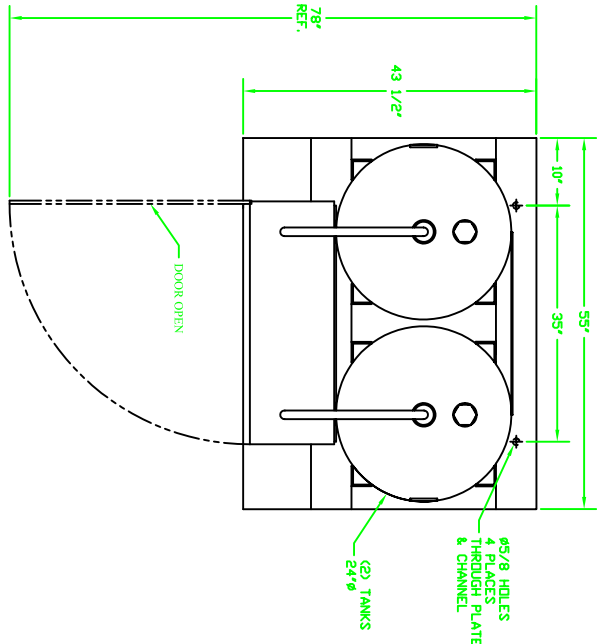


**SPECS: OG-650**

OXYGEN OUTPUT..... 650 scf\*/hr @ 45 psig  
 DEWPOINT..... 17.08 Nm<sup>3</sup>\*\*/hr @ 310 kPa  
 OXYGEN PURITY..... -100° F (-73° C)  
 AIR FLOW REQ..... 93% ± 3%  
 118.0 scf\*/min. (avg. flow) @ 90 psig  
 310 Nm<sup>3</sup>\*\*/min (avg. flow) @ 621 kPa  
 AIR QUALITY REQ..... ISO 8573.1 CLASS 1.4.1 MINIMUM (see below)  
 SOUND LEVELS..... 70dba @ 1 meter  
 DIMENSIONS..... 55" x 43.5" x 87" (WxDxH)  
 140cm x 111cm x 221cm  
 WEIGHT..... 3600 lbs. (1625 Kg.)  
 POWER..... 120 VAC, 60 Hz, 50 Watts (STD.) or  
 220 VAC, 50 Hz, 50 Watts (OPTIONAL)  
 AIR INLET..... 1" JIC MNPT BULKHEAD  
 OXYGEN OUTLET..... 3/8" FNPT BULKHEAD  
 (3/8" MNPT x 1/4" MNPT OXYGEN COUPLING)  
 RECOMMENDED MINIMUM AIR STORAGE TANK (AST)  
 SIZE..... 200 GALLONS  
 RECOMMENDED MINIMUM OXYGEN STORAGE TANK (OST)  
 SIZE..... 200 GALLONS  
 SPECS: ISO 8573.1 CLASS 1.4.1  
 DIRT PARTICLES 1-5 MICRON..... 0  
 WATER PRESSURE DEWPOINT ..... +37°F (940)  
 (ppm.vol.) AT 100 psig  
 OIL ppm (including vapor)..... 0.01



\*A Standard Cubic Foot (SCF) is a cubic foot of gas at 14.7 psia (sea level atmospheric pressure) and 60° Fahrenheit  
 \*\*A Normal Cubic Meter (Nm<sup>3</sup>) is a cubic meter of gas at 760mm Hg (sea level atmospheric

REVISIONS				FILE NAME	PLOT SCALE	EFFECTIVITY OR SERIAL NO.	DRAWN BY	TITLE
REV	DESCRIPTION	DATE	CHK	EDN #	NTS		J.C. PALONE	GENERAL ARRANGEMENT
A	CHANGED AIR QUALITY REQUIRED SPEC	10/25/05	JCP	05-10-036	OGSI 814 Murkiser Drive N. Tonawanda, NY 14120 Phone: (716) 664-5165 Fax: (716) 664-5173	DG-650 GEN ARR REV A	ENGINEER J. M. McMAHON	DATE 10/30/03
							PAGE 1 OF 1	