

SPECS: CFP-15M

OXYGEN OUTPUT..... 15 SCFH
 0.40 Nm/hr³

DEWPOINT.....-60° F (-51° C)

OXYGEN PURITY.....93% ± 3%

OXYGEN OUTLET FITTING..... 1/4" NPT BULKHEAD

AIR QUALITY REQ. ISO 8573.1 CLASS 4 MINIMUM (see below)

SOUND LEVELS:
 Standard 60dba @ 1 meter

DIMENSIONS:
 OGS UNIT 32" x 20.87" x 20.31"
 (831.9mm x 530.1mm x 515.9mm)
 OCS UNIT 22.75" x 18.62" x 19.46"
 (577.8mm x 472.9mm x 495.0mm)

WEIGHT:
 OGS UNIT 105 lbs. (47.6kg)
 OCS UNIT 95 lbs. (43.1kg)

POWER REQUIREMENTS:
 Standard (Domestic)..... 120 VAC, 60 Hz, Single Phase, 10.0 ampere
 Optional (International)..... 240 VAC, 50/60 Hz, Single Phase, 5.0 ampere

RESPONSE TIME.....After Initial start-up or extended shutdown is approximately 5 minutes to attain maximum purity.

POSITIONING.....The unit must be operated in an upright position only, with no obstruction blocking airflow around the unit.

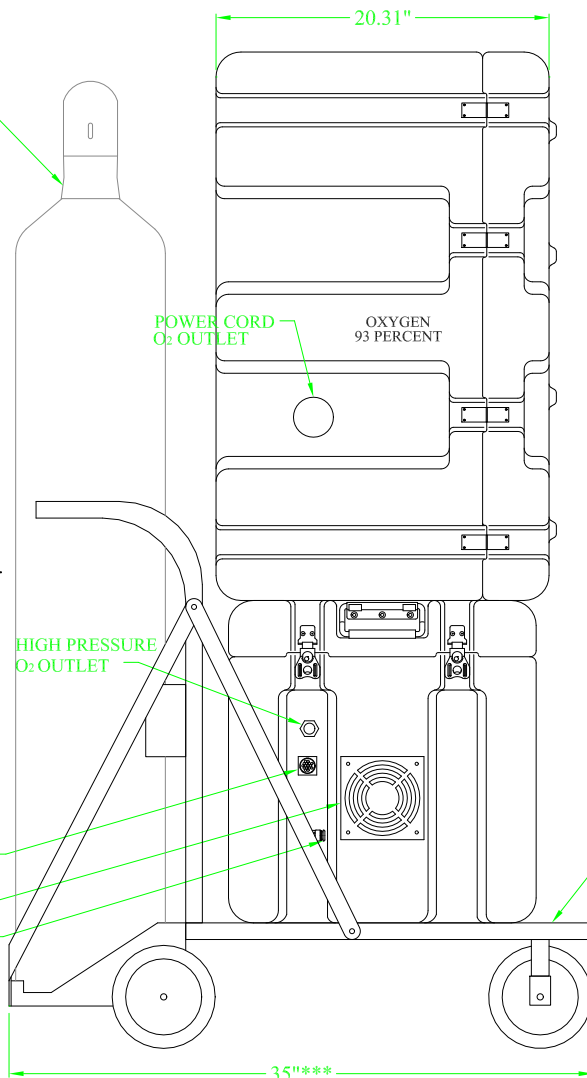
SPECS: ISO 8573.1 CLASS 4

DIRT PARTICLES IN MICRON..... 15

WATER PRESSURE DEWPOINT..... +37°F (940)
 (ppm.vol.) AT 100 psig

OIL ppm (including vapors)..... 5

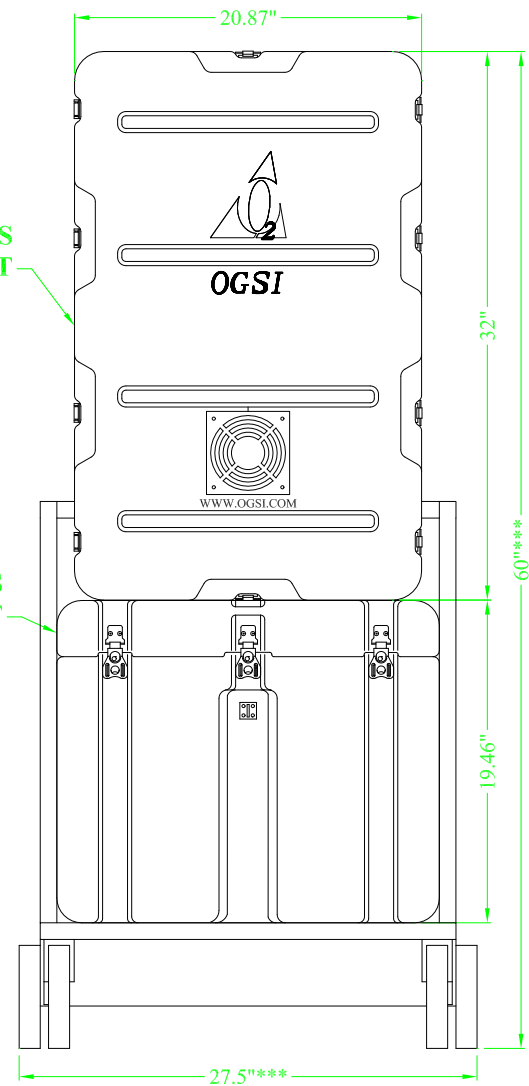
CUSTOMER SUPPLIED K CYLINDER



OGS UNIT

OCS UNIT

CART



* A Standard Cubic Foot (SCF³) is a cubic foot of gas at 14.7 psia (sea level atmospheric pressure) and 60 degrees Fahrenheit

**A Normal Cubic Meter (Nm) is a cubic meter of gas at 760mm Hg (sea level atmospheric pressure) and 0 degrees Celsius

***Dimension is appropriate and may slightly vary upon production

REVISIONS

REV	DESCRIPTION	DATE	CHK	ECN #
A	UPDATE DRAWING	2/5/08	CP	

OGSI
 814 Wurlitzer Drive
 North Tonawanda, NY 14120
 Phone: (716) 564-5165
 Fax: (716) 564-5173

FILE NAME
 CFP-15M
 GEN. ARR.

PLOT SCALE
 ENGINEER
 McCOLLUM

EFFECTIVITY OR SERIAL NO.
 DATE
 2/5/08

DRAWN BY
 C.PODCZASZY
 PAGE
 1 OF 1

TITLE
 GENERAL ARRANGEMENT
 CFP-15M