

NOTES:

1. INTERPRET DIMENSIONS AND TOLERANCES PER ASME Y14.5.

SPECIFICATIONS: OGS-20H

OXYGEN OUTPUT.....SEE PERFORMANCE CURVE
 OXYGEN DEWPOINT.....-60 °F (-51 °C)
 OXYGEN PURITY.....93 % ± 3 %
 OXYGEN OUTLET FITTING.....B SIZE OXYGEN ADAPTER/ DISS 1240 FEMALE & HOSE BARB FOR CANNULA TUBING

AIR INLET FITTING.....NONE
 FEED AIR REQUIREMENTS.....N/A: COMPRESSOR INCLUDED
 AIR QUALITY REQ.....ISO 8573.1 CLASS 1.4.1 MINIMUM (SEE BELOW)

SOUND LEVELS:
 STANDARD68 dBA @ 1 m

DIMENSIONS:
 STANDARD.....40.1 in x 19 in x 45.6 in (WxDxH)
 (102 cm) x (48 cm) x (116 cm) (WxDxH)

APPROXIMATE WEIGHT:
 STANDARD.....220 lb (99.7 kg)

POWER REQUIREMENTS:
 STANDARD (NORTH AMERICA).....115 VAC, 60 Hz, SINGLE PHASE, 10 A
 OPTIONAL (INTERNATIONAL).....230 VAC, 50 Hz, SINGLE PHASE, 5 A
 OPTIONAL (INTERNATIONAL).....230 VAC, 60 Hz, SINGLE PHASE, 5 A

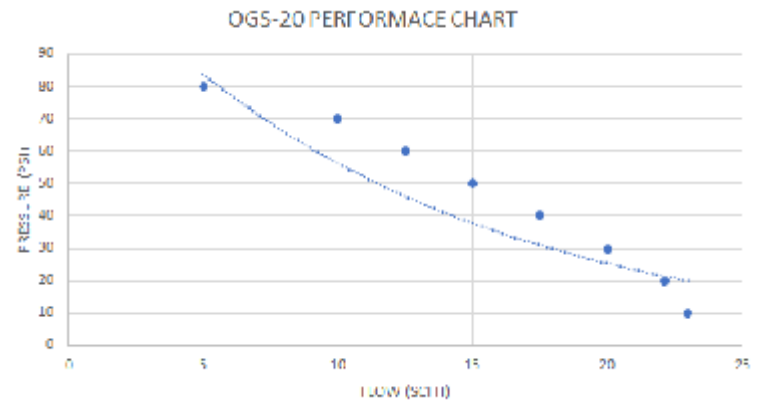
RESPONSE TIME.....APPROXIMATELY 2 MINUTES TO ATTAIN MAXIMUM CONCENTRATION/PURITY AFTER INITIAL START-UP OR EXTENDED SHUTDOWN

POSITIONING.....THE UNIT MUST BE OPERATED IN AN UPRIGHT POSITION ONLY, WITH NO OBSTRUCTION BLOCKING AIR FLOW AROUND THE UNIT. 6 IN MINIMUM CLEARANCE ON ALL SIDES.

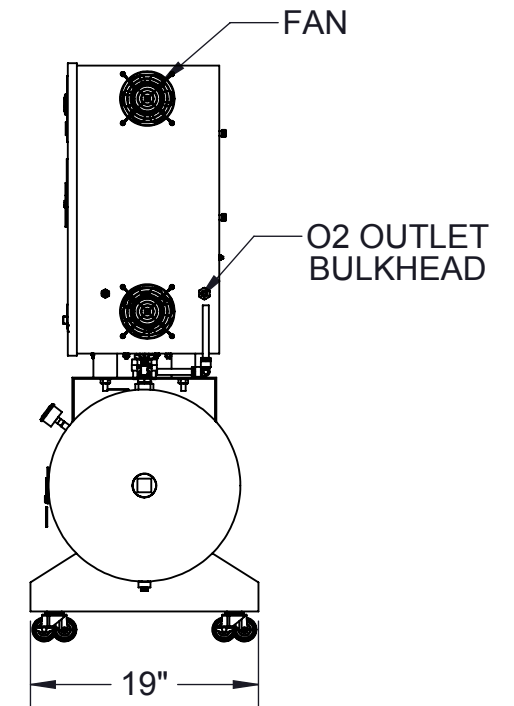
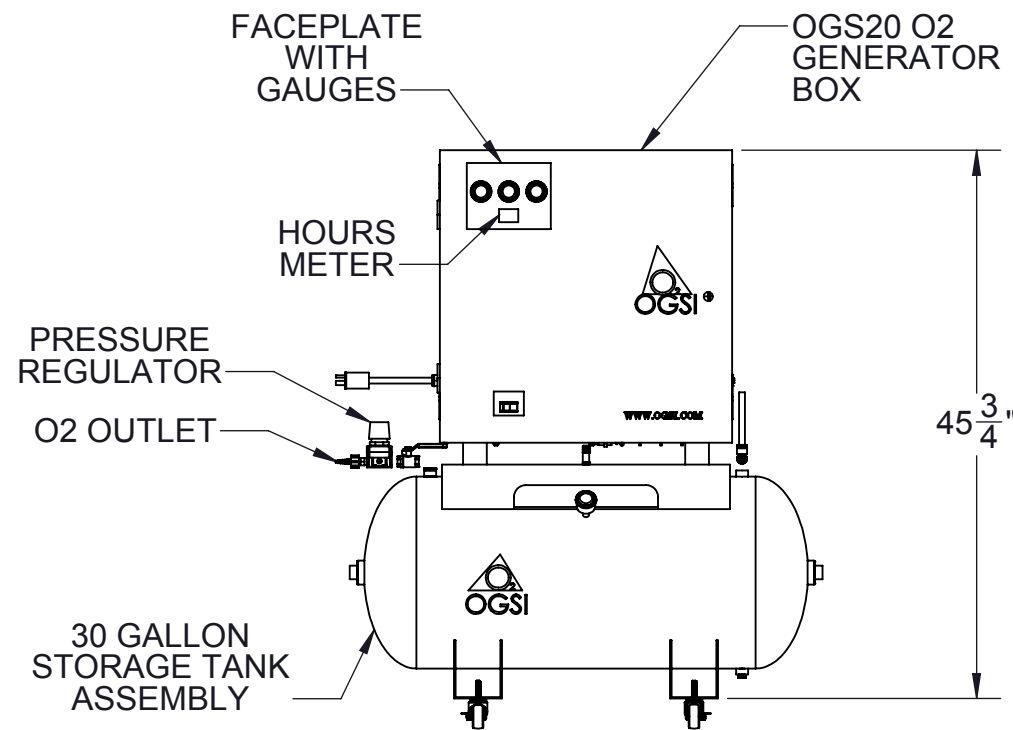
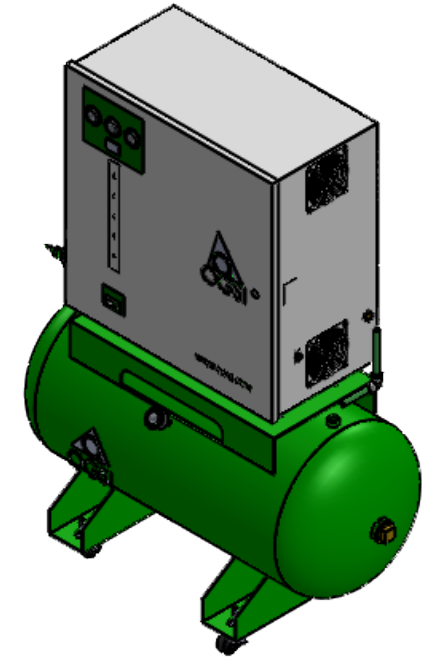
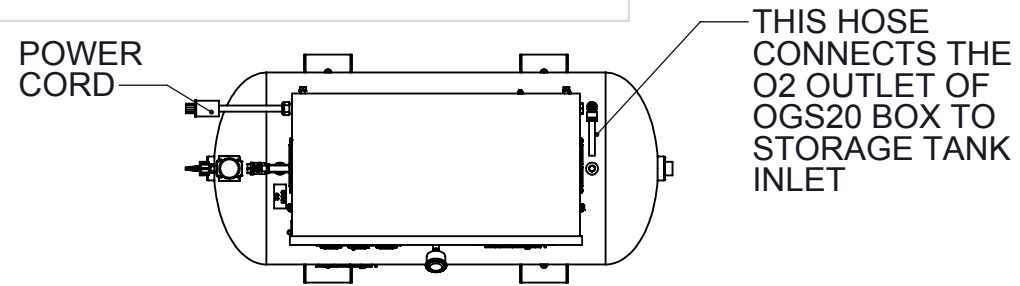
SPECIFICATIONS: ISO 8573.1 CLASS 1.4.1


DIRT PARTICLES 1-5 MICRON.....0
 WATER PRESSURE DEWPOINT+37°F (940 PPM AT 100 PSIG)
 OIL CONCENTRATION (INCLUDING VAPOR).....0.01

* A STANDARD CUBIC FOOT (SCF) IS A CUBIC FOOT OF GAS AT 14.7 PSIA (SEA LEVEL ATMOSPHERIC PRESSURE) AND 60 °F



REV.	DESCRIPTION	DATE	APPR.	ECN
A	INSERTED PERFORMANCE CURVE	02/21/20	NPW	20-02-002



<p>PROPRIETARY AND CONFIDENTIAL All drawings, descriptions, prints, specifications, etc. bearing this notice, together with the information, and ideas contained therein, are the sole and exclusive property of Audubon Machinery Corp. Any disclosure or use thereof not authorized in writing by Audubon Machinery Corp. is unlawful and will be prosecuted to the full extent of the law.</p> 	DRAWN: N. WALKER CHKD: T. WHETSTONE	DATE: 02/21/20 DATE: 02/21/20	PART NO: 10022	DRAWING TITLE: OGS20H & OGS20HT GENERAL ARRANGEMENT DRAWING		
	<p>UNLESS OTHERWISE SPECIFIED</p> DECIMALS: .XXX +/- .005 FRACTIONS: +/- 1/16 ANGLES: +/- 1°		STOCK NO. QTY. DESCRIPTION MATERIAL			
	REMOVE ALL BURRS AND BREAK SHARP EDGES 1/16" MAX			DO NOT SCALE DRAWING		
	AUDUBON MACHINERY CORP.			814 Wurlitzer Dr., N. Tonawanda, NY 14120		SHEET: 1 OF 1

Z:\Engineering\OGSi products\General Arrangement Drawings\10022 OGS20 H GEN ARR