

SPECS: OG-15 COMPRESSOR FREE DESIGN

OXYGEN OUTPUT..... 15 SCFH @ 1 - 30 PSIG
0.394 Nm³/hr @ 1 - 207 kPa

DEWPOINT.....-60° F (-51° C)

OXYGEN PURITY.....93% ± 3%

OXYGEN OUTLET FITTING..... 1/8" FNPT

AIR INLET FITTING..... 1/4" FNPT

FEED AIR REQUIREMENTS 4 SCFM (avg. flow) @ 30 - 50 PSIG

AIR QUALITY REQ. ISO 8573.1 CLASS 1.4.1 MINIMUM (see below)

SOUND LEVELS:

Standard 63 dba @ 1 meter

DIMENSIONS:

Standard 8.25 x 8.1875 x 19.25 (WxDxH)

WEIGHT:
Standard 17 lbs. (7.7 kg)

POWER REQUIREMENTS:

Standard (Domestic)..... 120 VAC, 60 Hz, Single Phase, 0.2 ampere

Optional (International)..... 220 VAC, 50 Hz, Single Phase, 0.1 ampere

Optional (International)..... 220 VAC, 60 Hz, Single Phase, 0.1 ampere

RESPONSE TIME.....After Initial start-up or extended shutdown is 2 minutes to attain maximum purity.

POSITIONING.....The unit must be operated in an upright position only, with no obstruction blocking airflow around the unit. May be floor or wall mounted.

SPECS: ISO 8573.1 CLASS 1.4.1

DIRT PARTICLES 1-5 MICRON..... 0

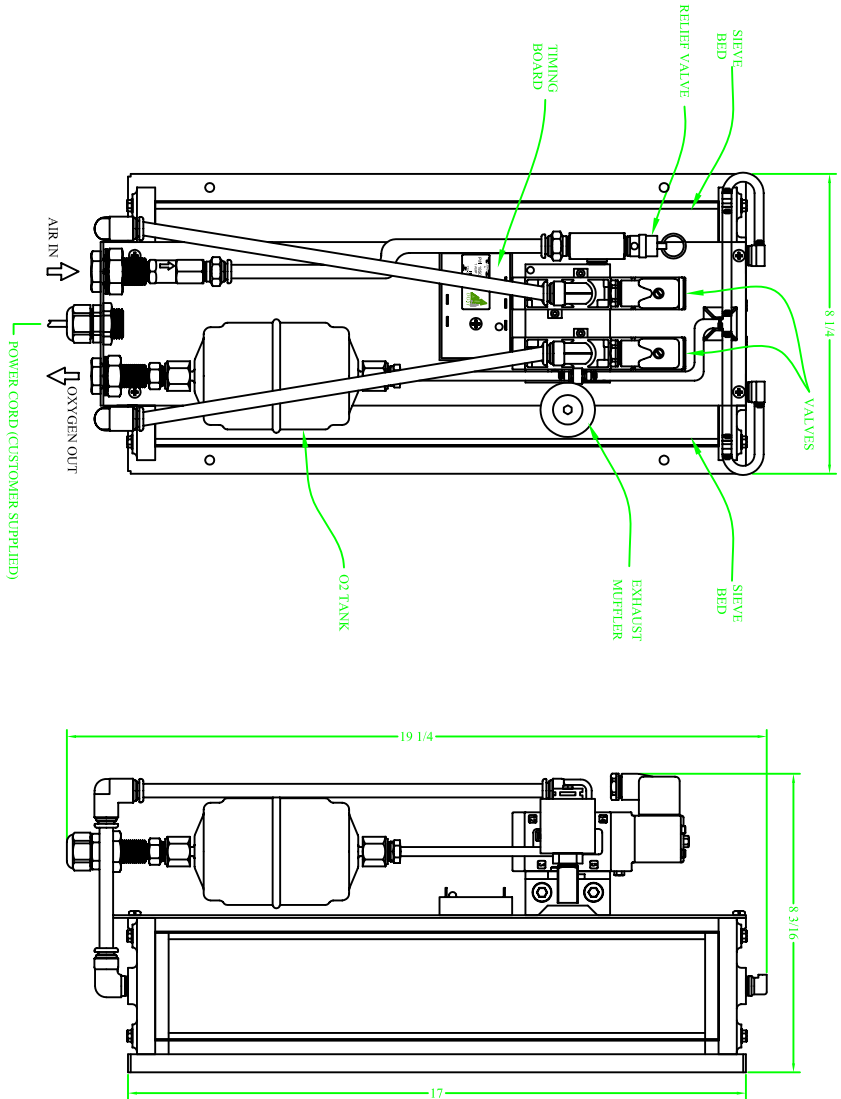
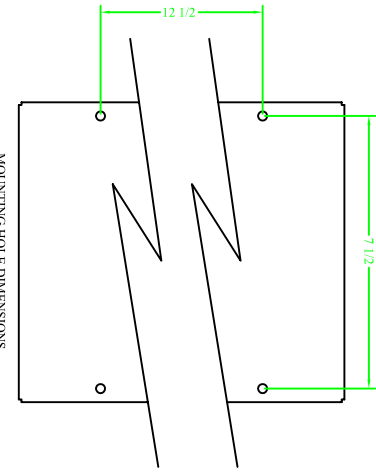
WATER PRESSURE DEWPOINT..... +37°F (940)
(ppm.vol.) AT 100 psig

OIL ppm (including vapors)..... 0.01

NOTES:

1. Air Pressure into the unit must be regulated between 30 - 50 psig
2. Oxygen Pressure from the unit must be regulated between 1 - 30 psig

* A Standard Cubic Foot (SCF) is a cubic foot of gas at 14.7 psia (sea level atmospheric pressure) and 60 degrees Fahrenheit
**A Normal Cubic Meter (Nm³) is a cubic meter of gas at 760mm Hg (sea level atmospheric pressure) and 0 degrees Celsius



REV	DESCRIPTION	DATE	CHK	ECN #
A	CHANGE AIR QUALITY REQUIRED SPEC	10/25/05	JCP	05-10-036

OGSI
814 Murkisser Drive
N. Tonawanda, NY 14120
Phone: (716) 664-5165
Fax: (716) 664-5173

FILE NAME: DG-15
DEM B
GEN ARR
REV A

PLOT SCALE: NTS
ENGINEER: J. M. McMAHON

EFFECTIVITY OR SERIAL NO.: DATE: 08/10/05

DRAWN BY: J.C. PALONE
PAGE: 1 OF 1

TITLE: DEM B GENERAL ARRANGEMENT
DG-15 DEM B