



814 Mortimer Drive  
 N. Tonawanda, NY 14120  
 Phone: (716) 564-5165  
 Fax: (716) 564-5173

NOTES:

**SPECS: OG-20 OEM B**

OXYGEN OUTPUT.....0-22 SCFH @ 15 PSI  
 0-0.62 Nm<sup>3</sup>/hr @ 103 kPa

DEWPOINT.....-60° F (-51° C)

OXYGEN PURITY.....93% ± 3%

OXYGEN OUTLET FITTING.....1/4" FNPT

AIR INLET FITTING.....1/4" FNPT

FEED AIR REQUIREMENTS ....4 SCFM (avg. flow) @ 30 - 50 PSIG

AIR QUALITY REQ. ....ISO 8573.1 CLASS 1.4.1 MINIMUM (see below)

**SOUND LEVELS:**

Standard .....35 dba @ 1 meter

**DIMENSIONS:**

Standard .....8.25 x 8.1875 x 23.25 (WxDxH)

Weight.....21 x 21 x 59 cm (WxDxH)

Standard .....20 lbs. (7.7 kg)

**POWER REQUIREMENTS:**

Standard (Domestic).....120 VAC, 60 Hz, Single Phase, 0.2 ampere

Optional (International).....220 VAC, 50 Hz, Single Phase, 0.1 ampere

Optional (International).....220 VAC, 60 Hz, Single Phase, 0.1 ampere

**RESPONSE TIME**.....After Initial start-up or extended shutdown is 2 minutes to attain maximum purity.

**POSITIONING**.....The unit must be operated in an upright position only, with no obstruction blocking airflow around the unit. May be floor or wall mounted.

**SPECS: ISO 8573.1 CLASS 1.4.1**

DIRT PARTICLES 1-5 MICRON.....0

WATER PRESSURE DEWPOINT.....+37°F (940)

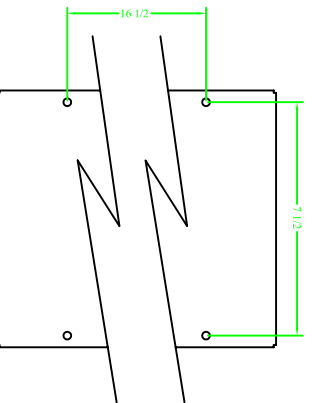
(ppm.vol.) AT 100 psig

OIL ppm (including vapors).....0.01

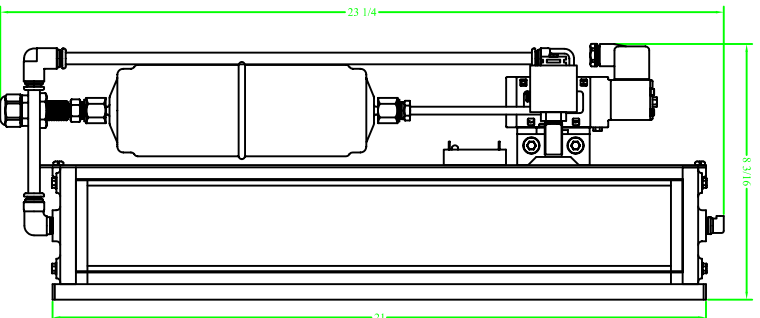
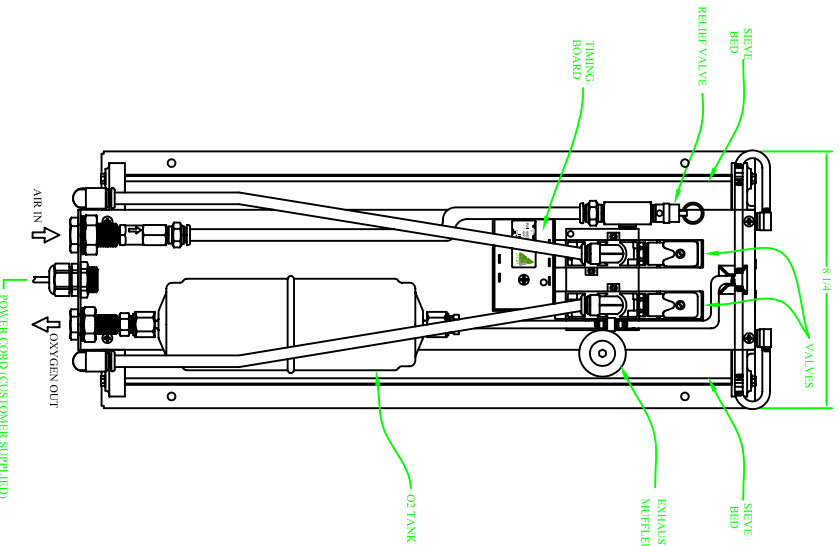
**NOTES:**

1. Air Pressure into the unit must be regulated between 30 - 50 psig
2. Oxygen Pressure from the unit must be regulated between 1 - 30 psig

\* A Standard Cubic Foot (SCF) is a cubic foot of gas at 14.7 psia (see level atmospheric pressure) and 60 degrees Fahrenheit  
 \*\*A Normal Cubic Meter (Nm<sup>3</sup>) is a cubic meter of gas at 760mm Hg (see level atmospheric pressure) and 0 degrees Celsius



Mounting Hole Dimensions



TITLE

GENERAL ARRANGEMENT

OG-20 OEM B

DRAWN BY

J.C. PALONE

PAGE

1 OF 1

DATE

04/1/06

PLOT SCALE

NTS

ENGINEER

J.M. McMAHON

FILE NAME

OG-20

OEM B

GEN

ARR

UNITS GIVEN AND RECEIVED

DIMENSIONS AND INCHES

TOLERANCES ON DIMENSIONS

DECIMALS XXX .06

ANGLES .12°

REMOVE BERRS, BRACKETS, RIBBONS, TAPES, MARKERS, AND ALL OTHER MARKINGS FROM THIS DRAWING

CHANGER ALL MATE THREADS TO 1/8" DIA. 20 TPI

CONTRACT NO. ALL FEMALE THREADS 90° UP TO MAJOR DIMENSION

REV	DESCRIPTION	DATE	CHK	ECN #

**REVISIONS**