

SPECS: OG-650

OXYGEN OUTPUT..... 650 scf*/hr @ 45 psig
 DEWPOINT..... 17.08 Nm³**/hr @ 310 kPa
 OXYGEN PURITY..... -100° F (-73° C)
 AIR FLOW REQ..... 93% ± 3%
 118.0 scf*/min. (avg. flow) @ 90 psig
 310 Nm³**/min (avg. flow) @ 621 kPa

AIR QUALITY REQ..... ISO 8573.1 CLASS 1.4.1 MINIMUM (see below)

SOUND LEVELS..... 70dba @ 1 meter

DIMENSIONS..... 55" x 43.5" x 87" (WxDxH)
 140cm x 111cm x 221cm

WEIGHT..... 3600 lbs. (1625 Kg.)

POWER..... 120 VAC, 60 Hz, 50 Watts (STD.) or
 220 VAC, 50 Hz, 50 Watts (OPTIONAL)

AIR INLET..... 1" JIC MNPT BULKHEAD

OXYGEN OUTLET..... 3/8" FNPT BULKHEAD
 (3/8" MNPT x 1/4" MNPT OXYGEN COUPLING)

RECOMMENDED MINIMUM AIR STORAGE TANK (AST)
 SIZE..... 200 GALLONS

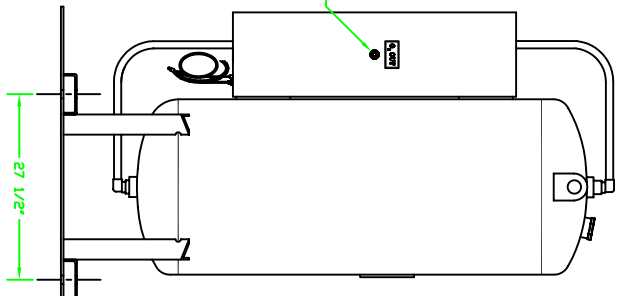
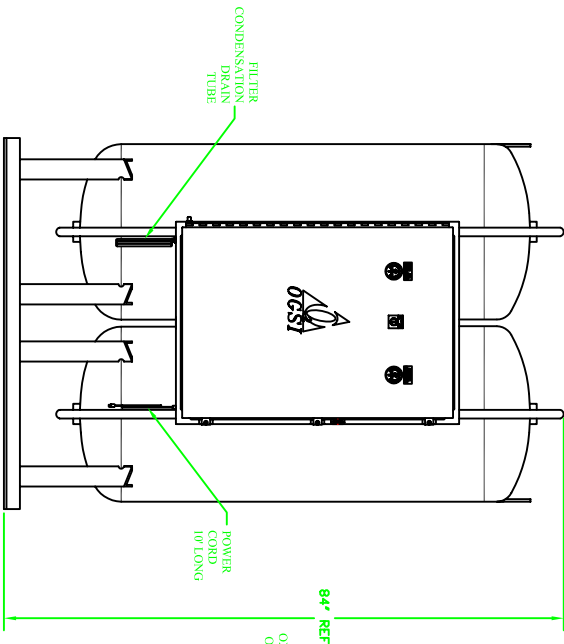
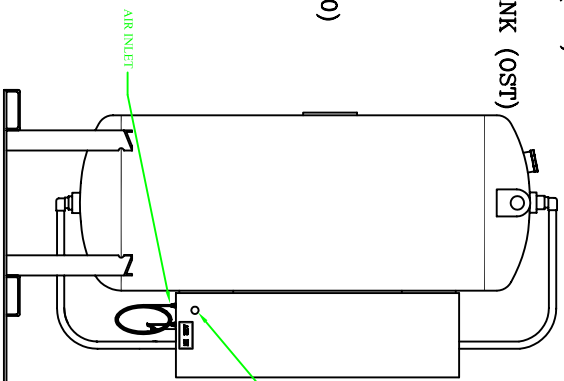
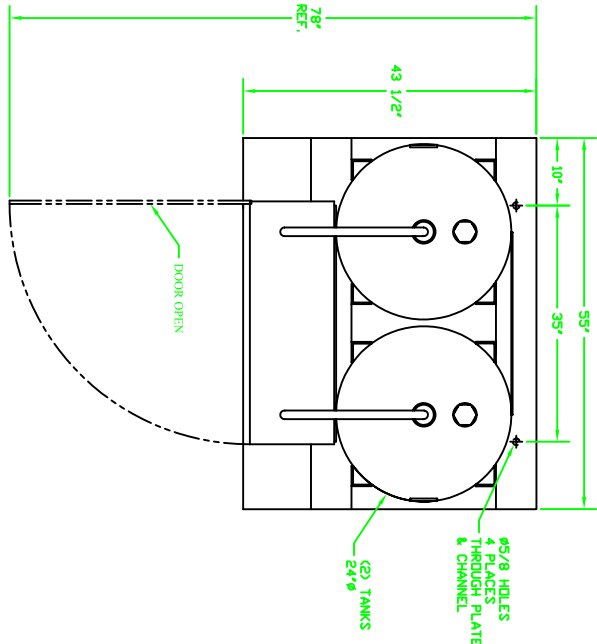
RECOMMENDED MINIMUM OXYGEN STORAGE TANK (OST)
 SIZE..... 200 GALLONS

SPECS: ISO 8573.1 CLASS 1.4.1

DIRT PARTICLES 1-5 MICRON..... 0

WATER PRESSURE DEWPOINT +37°F (940)
 (ppm.vol.) AT 100 psig

OIL ppm (including vapor)..... 0.01



*A Standard Cubic Foot (SCF) is a cubic foot of gas at 14.7 psia (sea level atmospheric pressure) and 60° Fahrenheit
 **A Normal Cubic Meter (Nm³) is a cubic meter of gas at 760mm Hg (sea level atmospheric

REVISIONS		DATE	CHK	EDN #	FILE NAME	PLOT SCALE	EFFECTIVITY OR SERIAL NO.	DRAWN BY	TITLE
REV	DESCRIPTION								
A	CHANGED AIR QUALITY REQUIRED SPEC	10/25/05	JCP	05-10-036	OG-650 GEN ARR REV A	NTS	10/30/03	J.C. PALONE	GENERAL ARRANGEMENT OG-650

OGSI
 814 Murkiser Drive
 N. Tonawanda, NY 14120
 Phone: (716) 664-5165
 Fax: (716) 664-5173

ENGINEER
 J. M. MCMAHON

PAGE 1 OF 1