

SPECS: 06-15 COMPRESSOR FREE DESIGN

OXYGEN OUTPUT..... 15 SCFH @ 9 - 30 PSIG

0.894 Nm³/hr @ 62 - 207 kPa

DEWPOINT..... -60° F (-51° C)

OXYGEN PURITY..... 90% ± 5%

OXYGEN OUTLET FITTING..... B size Oxygen Adapter

AIR INLET FITTING..... 1/4" NPT

FEED AIR REQUIREMENTS..... 4 SCFM (avg. flow) @ 30 - 60 PSIG

AIR QUALITY REQ..... ISO B573.1 CLASS 4 MINIMUM (see below)

SOUND LEVELS:

Standard (Open) 63 dba @ 1 meter

DIMENSIONS:

Standard..... 17x10x27 inch (WxDxH)

Weight..... 43.25x69 gm (WxDxH)

WRIGHT..... Standard 40 lb. (18.1 kg)

With Cover (Optional)..... 53 lb. (24 kg)

POWER REQUIREMENTS:

Standard (Domestic) 120 VAC, 60 Hz, Single Phase, 0.2 ampere

Optional (International)..... 220 VAC, 50 Hz, Single Phase, 0.1 ampere

Optional (International)..... 220 VAC, 60 Hz, Single Phase, 0.1 ampere

RESPONSE TIME:

After Initial start-up or extended shutdown

is 2 minutes to attain maximum purity.

POSITIONING:

The unit must be operated in an upright position only, with no obstruction blocking airflow around the unit. May be floor or wall mounted.

SPECS: ISO B573.1 CLASS 4

DIRT PARTICLES IN MICRON..... 15

WATER PRESSURE DEWPOINT..... +57°F (940)

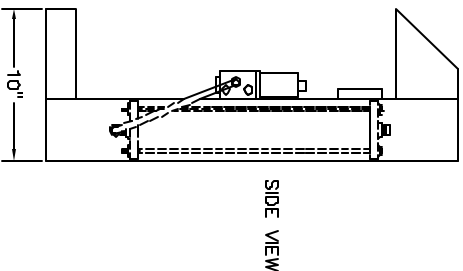
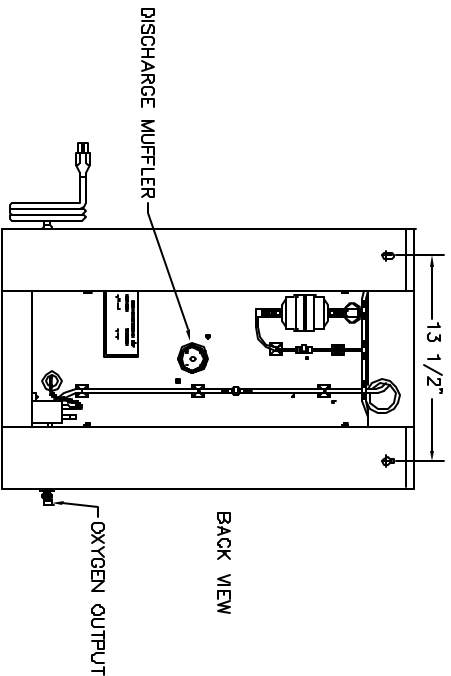
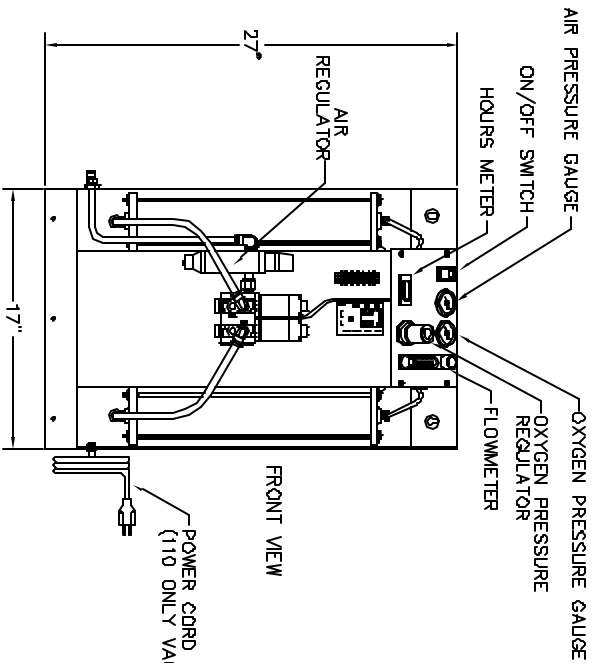
(ppm.vvl) AT 100 psig

OIL ppm (including vapors)..... 5

NOTES:

1. Air Pressure into the unit must be regulated to between 30 - 60 psig.
2. Oxygen Pressure from the unit must be regulated to between 9 - 30 psig.

*A Standard Cubic Foot (SCF) is a cubic foot of gas at 14.7 psia (sea level atmospheric pressure) and 60 degrees Fahrenheit
 **A Normal Cubic Meter (Nm³) is a cubic meter of gas at 760mm Hg (sea level atmospheric pressure) and 0 degrees Celsius



DRAWING NO.	GA15-NO COMP.	DATE OF ISSUE	03/20/99	ISSUED BY	J.M. McALISTER	DESIGNED BY	J.M. McALISTER	CLASS CODE	SALES & MARKETING
DRAWN BY	K.C. ZANGHI	DRAWN BY	03/20/99	ISSUED BY	J.M. McALISTER	DESIGNED BY	J.M. McALISTER	CLASS CODE	SALES & MARKETING
ENGINEER	J.M. McALISTER	DATE OF ISSUE	03/20/99	ISSUED BY	J.M. McALISTER	DESIGNED BY	J.M. McALISTER	CLASS CODE	SALES & MARKETING
<p>GENERAL ARRANGEMENT</p> <p>06-15 COMPRESSOR FREE DESIGN REV. A*</p> <p>2221 Niagara Falls Boulevard Niagara Falls, New York 14304 Phone: (716) 349-1400 Fax: (716) 349-1404 Toll Free (800) 444-0681</p> <p>PROJECT OR SERIAL NO. / REV. / DATE</p> <p>03/25/99 / 02 / NTS</p> <p>SHEET 1 OF 1</p> <p>REVISIONS</p>									