

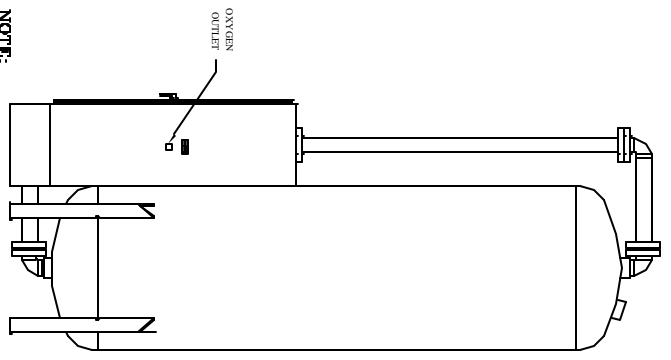
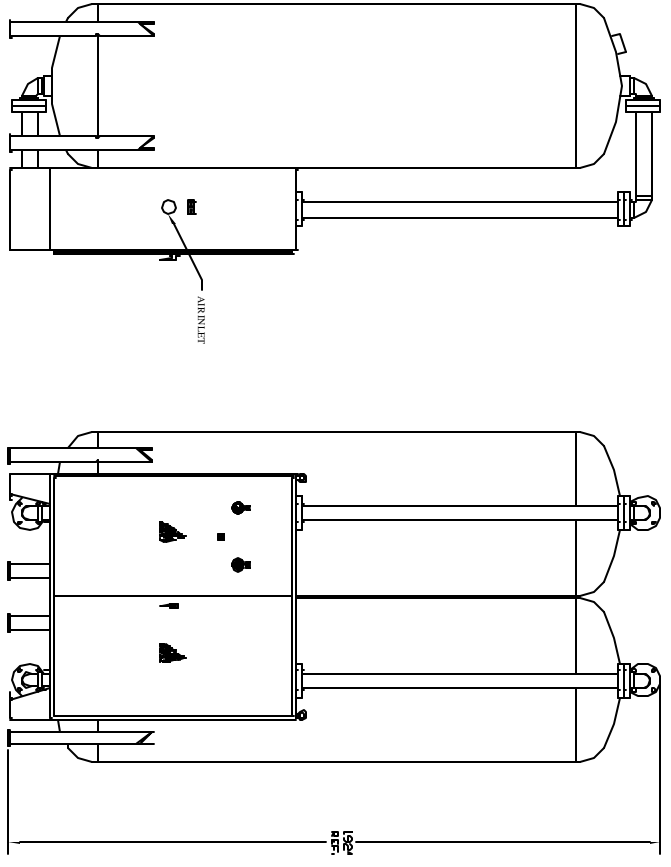
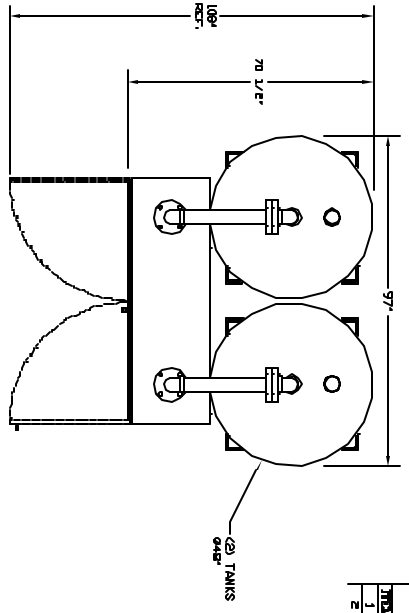
SPECS: OG-6000

OXYGEN OUTPUT.....6000 scf/hr @ 45 psig
 131.4Nm³/hr @ 310kPa
 DewPoint.....<-70°F (-87°C)
 OXYGEN PURITY.....80% ± 5%
 AIR FLOW RATIO.....1000 scf/min (avg. flow) @ 90 psig
 22.3 Nm³/min (avg. flow) @ 621 kPa
 AIR QUALITY REQ.....ISO 8573.1 CLASS 4 MINIMUM (see below)
 DIMENSIONS.....97" x 72.50" x 192" (Width)
 246.4cm x 184.15cm x 487.68cm
 WEIGHT.....36,000 lbs (11336 Kg)
 POWER.....120 VAC, 60 Hz, 600 Watts (STD.) or
 230 VAC, 60 Hz, 600 Watts (OPTIONAL)
 AIR IN PIPE SIZE.....4" PIPE
 OR OUT PIPE SIZE.....3" PIPE

RECOMMENDED MINIMUM AIR STORAGE TANK (AST)
 SIZE....." TBD"
 RECOMMENDED MINIMUM OXYGEN STORAGE TANK (OST)
 SIZE....." TBD"

SPECS: ISO 8573.1 CLASS 4
 DIRT PARTICLES IN MICRON.....15
 WATER PRESSURE DEWPOINT.....+87°F (340)
 (ppm. vol) AT 100 psig
 OIL ppm (including vapor).....5

* A Standard Cubic Foot (SCF) is a cubic foot of gas at 14.7 psia (sea level atmospheric pressure) and 60 degrees Fahrenheit
 **A Normal Cubic Meter (Nm³) is a cubic meter of gas at 760mm Hg (sea level atmospheric pressure) and 0 degrees Celsius



NOTE:
 PRELIMINARY DESIGN SHOWN WITH OPTIONAL ENCLOSURE BOX
 ACTUAL BOX (IF INCLUDED) MAY VARY FROM SHOWN

BILL OF MATERIALS		
ITEM	QTY	DESCRIPTION
1		
2		

DRAWING NO.	GAS000	DATE	01/09/08	DESIGNER	J.M. McAllister	CHECKED	
DRAWN BY	K.C. ZANONI	DATE	01/09/08	DESIGNER	J.M. McAllister	CHECKED	
CLASS CODE	SALES & MARKETING	DATE	01/09/08	DESIGNER	J.M. McAllister	CHECKED	
2221 Niagara Falls Boulevard Niagara Falls, New York 14304 Phone: (716) 349-1400 Fax: (716) 349-1404 Toll Free (800) 444-0661				PROJECT GENERAL ARRANGEMENT GA-6000			
TITLE GENERAL ARRANGEMENT GA-6000				PROJECT GENERAL ARRANGEMENT GA-6000			
CLASS CODE SALES & MARKETING				PROJECT GENERAL ARRANGEMENT GA-6000			
REVISIONS				DATE BY			