

NOTES:

1. INTERPRET DIMENSIONS AND TOLERANCES PER ASME Y14.5.
2. DIMENSIONS MAY VARY +/- .25 INCH (.63 CM)

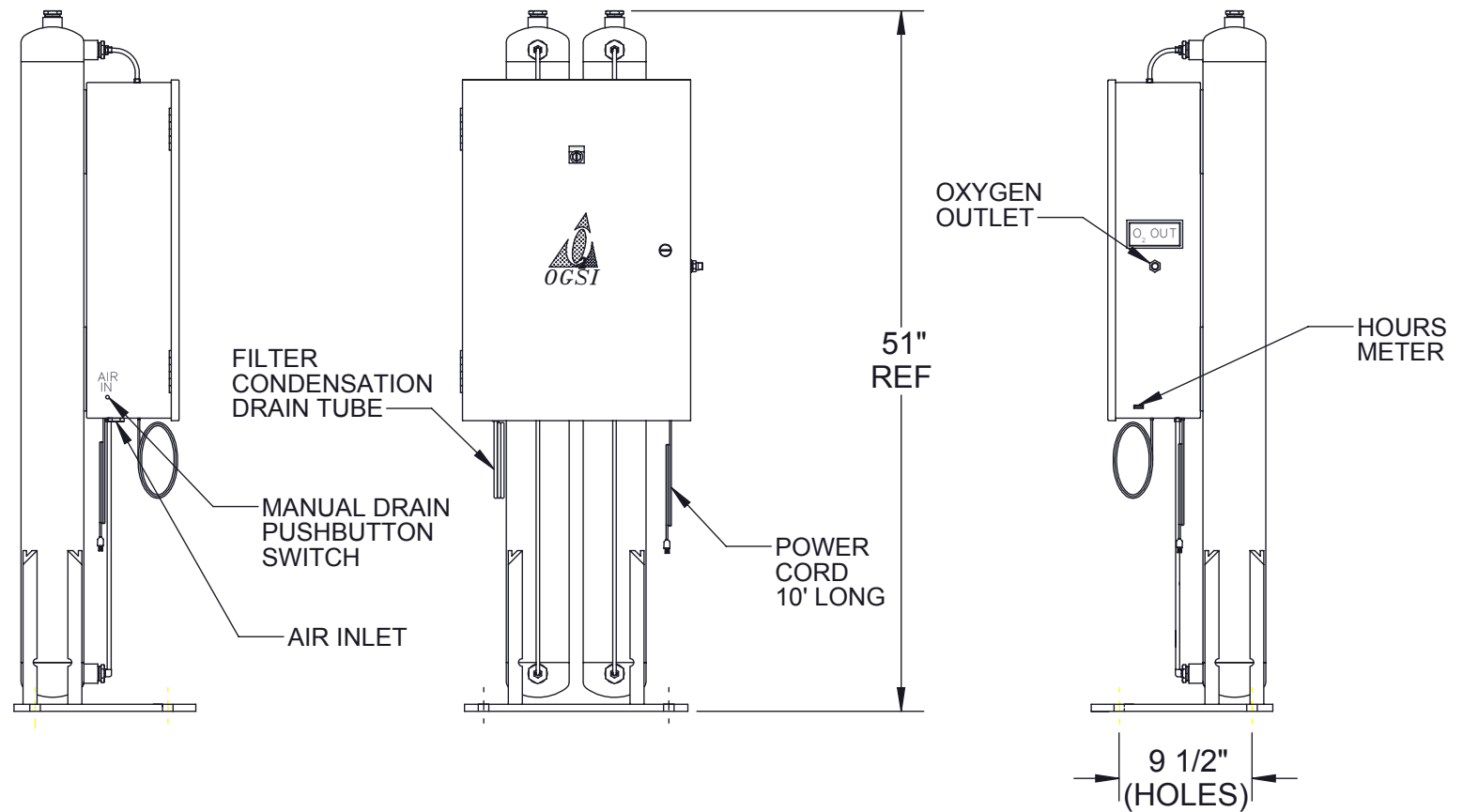
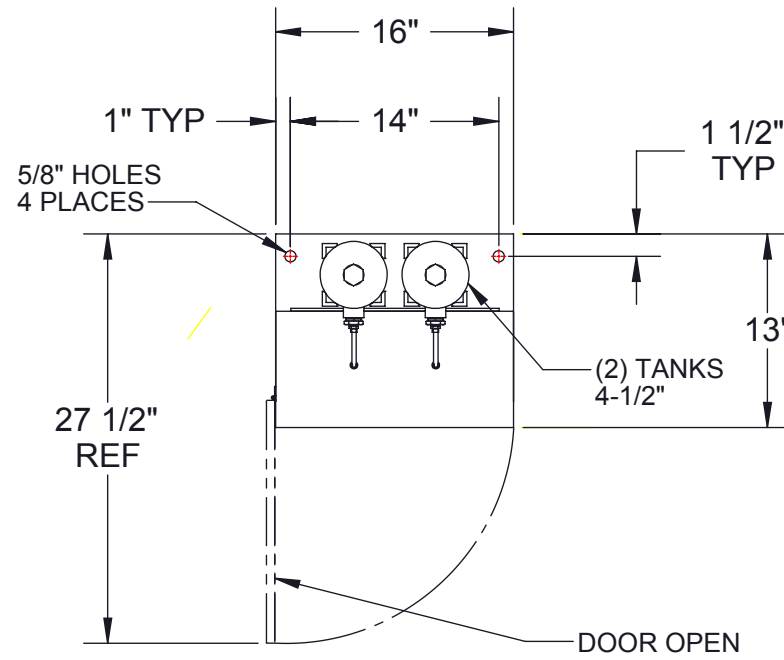
SPECIFICATIONS: OG-25

OXYGEN OUTPUT.....	.25 SCFH @ 45 PSI 11.8 L/MIN @ 3.1 BAR
OXYGEN DEWPOINT.....	-100 °F (-73 °C)
OXYGEN PURITY.....	.93 % ± 3 %
AIR INLET.....	1/4" FNPT BULKHEAD
OXYGEN OUTLET FITTING.....	CGA 022 (OXYGEN B ADAPTER)
FEED AIR REQUIREMENTS.....	COMPRESSOR NOT INCLUDED ON STANDARD MODELS 6.5 SCFM (AVG. FLOW) FOR COMPRESSOR-LESS MODELS AT 90 PSIG INCOMING PRESSURE
AIR QUALITY REQ.....	ISO 8573.1 CLASS 1.4.1 MINIMUM (SEE BELOW)
SOUND LEVELS:	
STANDARD (WITHOUT COVER)	70 dBA @ 1 M
DIMENSIONS:	
STANDARD.....	16 IN x 13 IN x 51 IN (WxDxH) (41 CM) x (33 CM) x (129 CM) (WxDxH)
APPROXIMATE WEIGHT:	
STANDARD (NO COVER, NO FEET).....	190 LB (86.2 KG)
POWER REQUIREMENTS:	
STANDARD (NORTH AMERICA).....	115 VAC, 60 HZ, SINGLE PHASE, 0.50 A
OPTIONAL (INTERNATIONAL).....	230 VAC, 50 HZ, SINGLE PHASE, 0.25 A
OPTIONAL (INTERNATIONAL).....	230 VAC, 60 HZ, SINGLE PHASE, 0.25 A
RESPONSE TIME.....	APPROXIMATELY 3 CYCLES TO ATTAIN MAXIMUM CONCENTRATION/PURITY AFTER INITIAL START-UP OR EXTENDED SHUTDOWN
POSITIONING.....	THE UNIT MUST BE OPERATED IN AN UPRIGHT POSITION ONLY, WITH NO OBSTRUCTION BLOCKING AIR FLOW AROUND THE UNIT, 6 IN MINIMUM
RECOMENDED MINIMUM AIR STORAGE TANK (AST) SIZE.....	60 GALLONS
RECOMENDED MINIMUM OXYGEN STORAGE TANK (OST) SIZE.....	60 GALLONS

SPECIFICATIONS: ISO 8573.1 CLASS 1.4.1

DIRT PARTICLES 1-5 MICRON.....	0
WATER PRESSURE DEWPOINT	+37 °F (3 °C) (940 PPM AT 100 PSIG)
OIL CONCENTRATION (INCLUDING VAPOR).....	0.01 (<= 3 PPM)

* A STANDARD CUBIC FOOT (SCF) IS A CUBIC FOOT OF GAS AT 14.7 PSIA (SEA LEVEL ATMOSPHERIC PRESSURE) AND 60 °F



PROPRIETARY AND CONFIDENTIAL			
All drawings, descriptions, prints, specifications, etc. bearing this notice, together with the information, and ideas contained therein, are the sole and exclusive property of Audubon Machinery Corp. Any disclosure or use thereof not authorized in writing by Audubon Machinery Corp. is unlawful and will be prosecuted to the full extent of the law.			
DRAWN: J.FENTON	DATE: 6/14/2012	PART NO: 10005	
CHKD:	DATE:	DRAWING TITLE: GENERAL ARRANGEMENT OG-25	
UNLESS OTHERWISE SPECIFIED		STOCK NO.	QTY.
DECIMALS: .XXX +/- .005	FRACTIONS: +/- 1/16	DESCRIPTION	
.XX +/- .02	ANGLES: +/- 1°	MATERIAL	
		ASSY	
REMOVE ALL BURRS AND BREAK SHARP EDGES 1/16" MAX			DO NOT SCALE DRAWING
AUDUBON MACHINERY CORP.		814 Wurlitzer Dr., N. Tonawanda, NY 14120	
			SHEET: 1 OF 1

