

**NOTES:**

1. INTERPRET DIMENSIONS AND TOLERANCES PER ASME Y14.5.
2. DIMENSIONS MAY VARY +/- .25 INCH (.63 CM)

**SPECIFICATIONS: OG-50**

OXYGEN OUTPUT.....50 SCFH @ 45 PSI  
22.6 L/MIN @ 3.1 BAR

OXYGEN DEWPOINT.....-100 °F (-73 °C)

OXYGEN PURITY.....93 % ± 3 %

AIR INLET.....3/8" FNPT BULKHEAD

OXYGEN OUTLET FITTING.....CGA 022 (OXYGEN B FITTING)

FEED AIR REQUIREMENTS.....COMPRESSOR NOT INCLUDED ON STANDARD MODELS  
12 SCFM (AVG. FLOW) FOR COMPRESSOR-LESS MODELS  
AT 90 PSIG INCOMING PRESSURE

AIR QUALITY REQ.....ISO 8573.1 CLASS 1.4.1 MINIMUM (SEE BELOW)

SOUND LEVELS:  
STANDARD (WITHOUT COVER) .....70 dBA @ 1 M

DIMENSIONS:  
STANDARD.....19.5 IN x 14 IN x 62 IN (WxDxH)  
(49.5 CM) x (35.6 CM) x (157.5 CM) (WxDxH)

APPROXIMATE WEIGHT:  
STANDARD (NO COVER, NO FEET).....275 LB (124.7 KG)

POWER REQUIREMENTS:  
STANDARD (NORTH AMERICA).....115 VAC, 60 HZ, SINGLE PHASE, 0.50 A  
OPTIONAL (INTERNATIONAL).....230 VAC, 50 HZ, SINGLE PHASE, 0.25 A  
OPTIONAL (INTERNATIONAL).....230 VAC, 60 HZ, SINGLE PHASE, 0.25 A

RESPONSE TIME.....APPROXIMATELY 3 CYCLES TO ATTAIN  
MAXIMUM CONCENTRATION/PURITY AFTER  
INITIAL START-UP OR EXTENDED SHUTDOWN

POSITIONING.....THE UNIT MUST BE OPERATED IN AN UPRIGHT  
POSITION ONLY, WITH NO OBSTRUCTION  
BLOCKING AIR FLOW AROUND THE UNIT,  
6 IN MINIMUM

RECOMENDED MINIMUM AIR STORAGE TANK (AST) SIZE.....60 GALLONS

RECOMENDED MINIMUM OXYGEN STORAGE TANK (OST) SIZE.....60 GALLONS

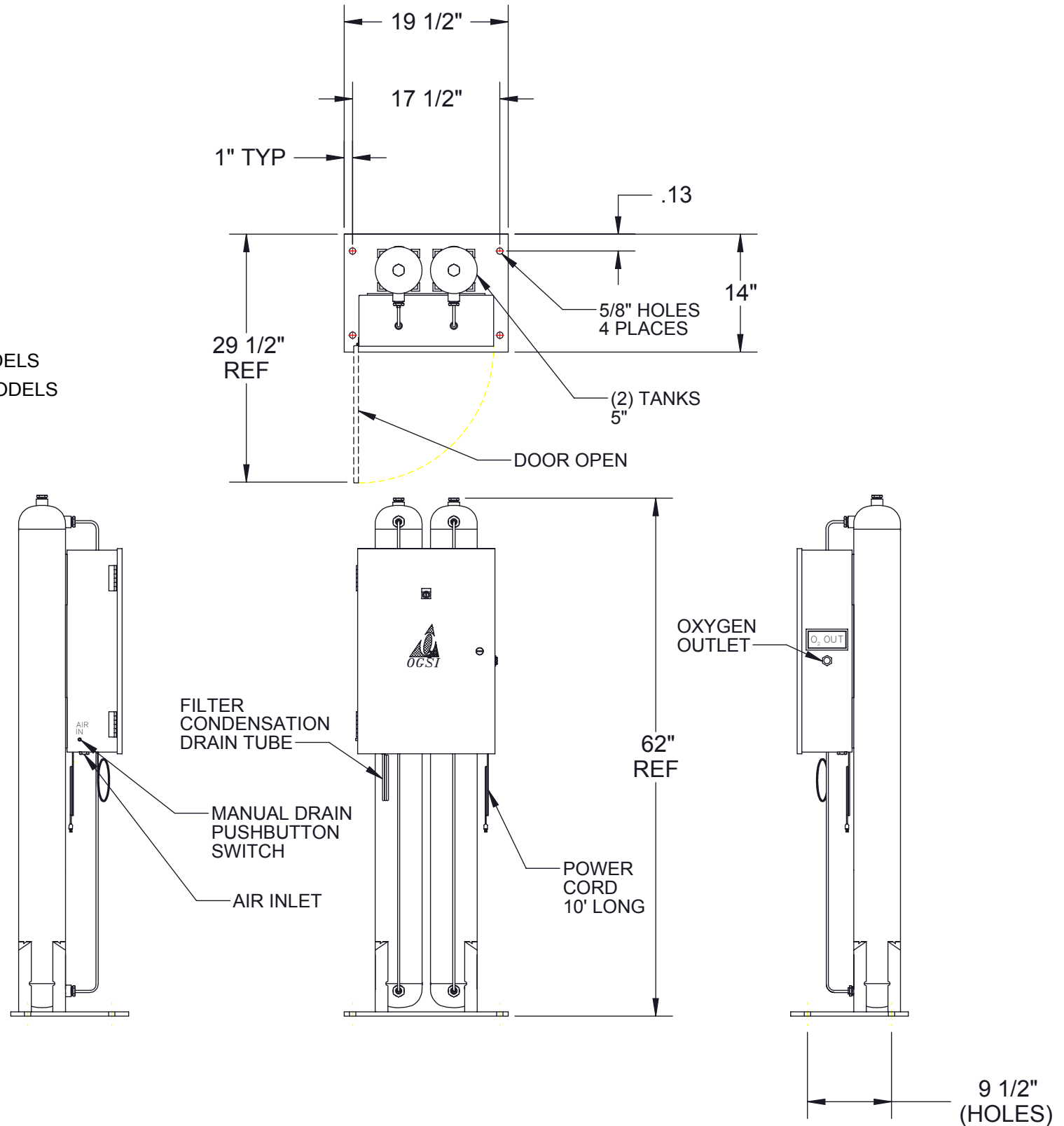
**SPECIFICATIONS: ISO 8573.1 CLASS 1.4.1**

DIRT PARTICLES 1-5 MICRON.....0

WATER PRESSURE DEWPOINT .....+37 °F (3 °C) (940 PPM AT 100 PSIG)

OIL CONCENTRATION  
(INCLUDING VAPOR).....0.01 (<= 3 PPM)

\* A STANDARD CUBIC FOOT (SCF) IS A CUBIC FOOT OF GAS AT  
14.7 PSIA (SEA LEVEL ATMOSPHERIC PRESSURE) AND 60 °F



**PROPRIETARY AND CONFIDENTIAL**

All drawings, descriptions, prints, specifications, etc. bearing this notice, together with the information, and ideas contained therein, are the sole and exclusive property of Audubon Machinery Corp. Any disclosure or use thereof not authorized in writing by Audubon Machinery Corp. is unlawful and will be prosecuted to the full extent of the law.

**OGSI** Schlyer Machine **R** IMT SOLAR **Starboard Sun**

DRAWN: J.FENTON	DATE: 6/14/2012	PART NO: 10006		DRAWING TITLE: GENERAL ARRANGEMENT OG-50	
CHKD:	DATE:	STOCK NO.	QTY.	DESCRIPTION	MATERIAL
UNLESS OTHERWISE SPECIFIED		ASSY			
DECIMALS: .XXX +/- .005		REMOVE ALL BURRS AND BREAK SHARP EDGES 1/16" MAX			
FRACTIONS: +/- 1/16		DO NOT SCALE DRAWING			
ANGLES: +/- 1°		814 Wurlitzer Dr., N. Tonawanda, NY 14120			
AUDUBON MACHINERY CORP.		SHEET: 1 OF 1			