

**NOTES:**

1. INTERPRET DIMENSIONS AND TOLERANCES PER ASME Y14.5.
2. DIMENSIONS MAY VARY +/- .25 INCH (.63 CM)

**SPECIFICATIONS: OG-100**

OXYGEN OUTPUT.....100 SCFH @ 45 PSI  
 2.6 Nm/hr<sup>3</sup> @ 310 kPa

OXYGEN DEWPOINT.....-100 °F (-73 °C)

OXYGEN PURITY.....93 % ± 3 %

AIR INLET.....3/8" FNPT BULKHEAD

OXYGEN OUTLET FITTING.....CGA 022 (OXYGEN B FITTING)

FEED AIR REQUIREMENTS.....COMPRESSOR NOT INCLUDED ON STANDARD MODELS  
 22 SCFM (AVG. FLOW) FOR COMPRESSOR-LESS MODELS  
 AT 90 PSIG INCOMING PRESSURE

AIR QUALITY REQ.....ISO 8573.1 CLASS 1.4.1 MINIMUM (SEE BELOW)

SOUND LEVELS:  
 STANDARD (WITHOUT COVER) .....70 dBA @ 1 M

DIMENSIONS:  
 STANDARD.....24 IN x 24 IN x 69 IN (WxDxH)  
 (61 CM) x (61 CM) x (175 CM) (WxDxH)

APPROXIMATE WEIGHT:  
 STANDARD (NO COVER, NO FEET).....600 LB (272 KG)

POWER REQUIREMENTS:  
 STANDARD (NORTH AMERICA).....115 VAC, 60 HZ, SINGLE PHASE, 0.5 A  
 OPTIONAL (INTERNATIONAL).....230 VAC, 50 HZ, SINGLE PHASE, 1.0 A  
 OPTIONAL (INTERNATIONAL).....230 VAC, 60 HZ, SINGLE PHASE, 1.0 A

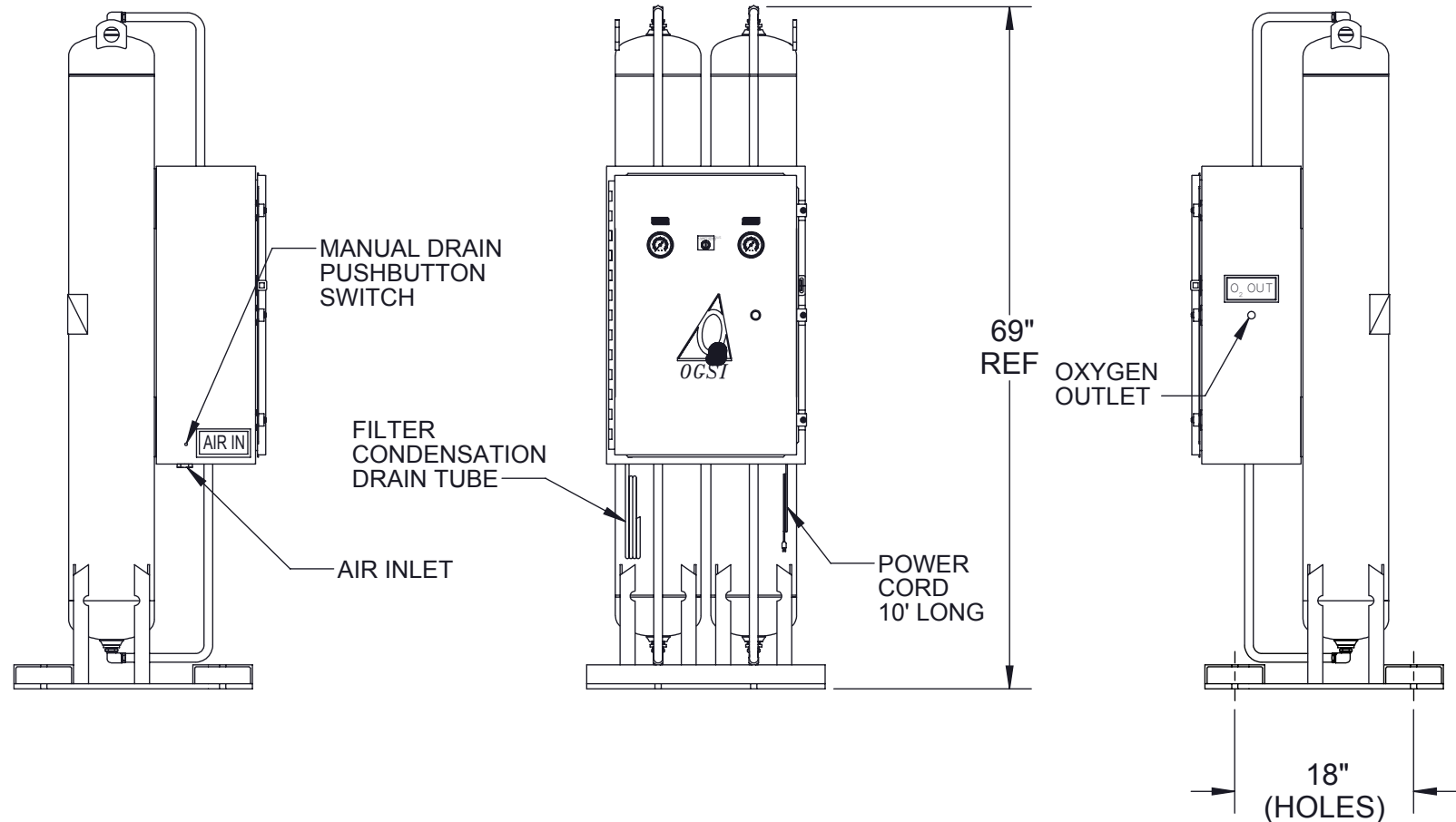
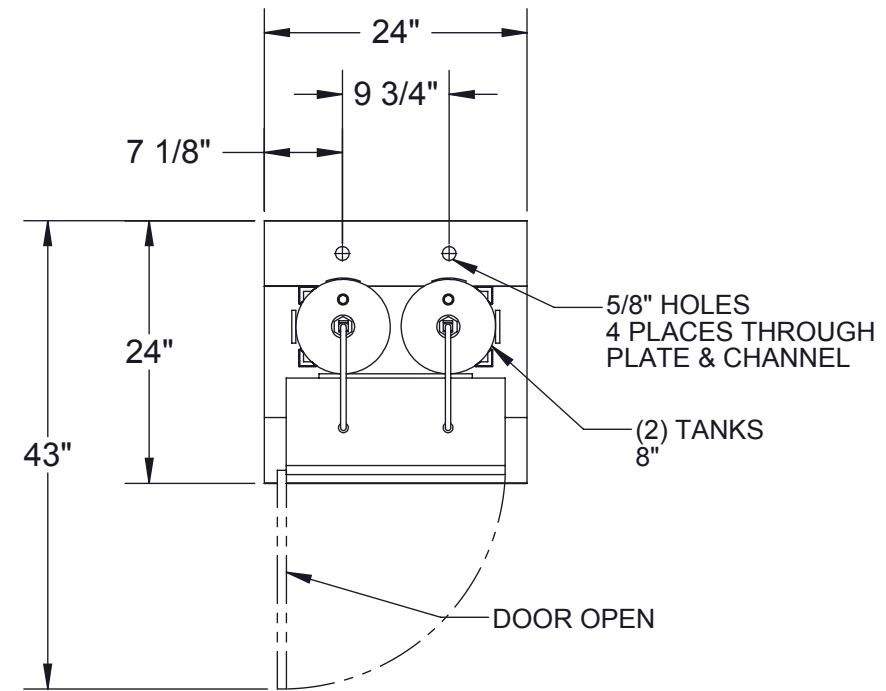
RESPONSE TIME.....APPROXIMATELY 3 CYCLES TO ATTAIN  
 MAXIMUM CONCENTRATION/PURITY AFTER  
 INITIAL START-UP OR EXTENDED SHUTDOWN

POSITIONING.....THE UNIT MUST BE OPERATED IN AN UPRIGHT  
 POSITION ONLY, WITH NO OBSTRUCTION  
 BLOCKING AIR FLOW AROUND THE UNIT,  
 6 IN MINIMUM

RECOMENDED MINIMUM AIR STORAGE TANK (AST) SIZE.....60 GALLONS  
 RECOMENDED MINIMUM OXYGEN STORAGE TANK (OST) SIZE.....60 GALLONS

SPECIFICATIONS: ISO 8573.1 CLASS 1.4.1  
 DIRT PARTICLES 1-5 MICRON.....0  
 WATER PRESSURE DEWPOINT .....+37 °F (3 °C) (940 PPM AT 100 PSIG)  
 OIL CONCENTRATION  
 (INCLUDING VAPOR).....0.01 (<= 3 PPM)

\* A STANDARD CUBIC FOOT (SCF) IS A CUBIC FOOT OF GAS AT  
 14.7 PSIA (SEA LEVEL ATMOSPHERIC PRESSURE) AND 60 °F



<b>PROPRIETARY AND CONFIDENTIAL</b>			
All drawings, descriptions, prints, specifications, etc. bearing this notice, together with the information, and ideas contained therein, are the sole and exclusive property of Audubon Machinery Corp. Any disclosure or use thereof not authorized in writing by Audubon Machinery Corp. is unlawful and will be prosecuted to the full extent of the law.			
DRAWN: J.FENTON	DATE: 6/27/2012	PART NO: 10007	
CHKD:	DATE:	DRAWING TITLE: GENERAL ARRANGEMENT OG-100	
<b>UNLESS OTHERWISE SPECIFIED</b>		STOCK NO.	QTY.
DECIMALS: .XXX +/- .005	FRACTIONS: +/- 1/16	DESCRIPTION	
.XX +/- .02	ANGLES: +/- 1°	MATERIAL	
		ASSY	
REMOVE ALL BURRS AND BREAK SHARP EDGES 1/16" MAX			DO NOT SCALE DRAWING
<b>AUDUBON MACHINERY CORP.</b>		<b>814 Wurlitzer Dr., N. Tonawanda, NY 14120</b>	
			SHEET: 1 OF 1