

**NOTES:**

1. INTERPRET DIMENSIONS AND TOLERANCES PER ASME Y14.5.
2. DIMENSIONS MAY VARY +/- .25 INCH (.63 CM)

**SPECIFICATIONS: OG-175**

OXYGEN OUTPUT.....175 SCFH @ 45 PSI  
 4.6 Nm/hr<sup>3</sup> @ 310 kPa

OXYGEN DEWPOINT.....-100 °F (-73 °C)

OXYGEN PURITY.....93 % ± 3 %

AIR INLET.....3/4" FNPT BULKHEAD

OXYGEN OUTLET FITTING.....CGA 022 (OXYGEN B FITTING)

FEED AIR REQUIREMENTS.....COMPRESSOR NOT INCLUDED ON STANDARD MODELS  
 32 SCFM (AVG. FLOW) FOR COMPRESSOR-LESS MODELS  
 AT 90 PSIG INCOMING PRESSURE

AIR QUALITY REQ.....ISO 8573.1 CLASS 1.4.1 MINIMUM (SEE BELOW)

SOUND LEVELS:  
 STANDARD (WITHOUT COVER) .....70 dBA @ 1 M

DIMENSIONS:  
 STANDARD.....26 IN x 25 IN x 72 IN (WxDxH)  
 (66 CM) x (64 CM) x (183 CM) (WxDxH)

APPROXIMATE WEIGHT:  
 STANDARD (NO COVER, NO FEET).....775 LB (352 KG)

POWER REQUIREMENTS:  
 STANDARD (NORTH AMERICA).....115 VAC, 60 HZ, SINGLE PHASE, 0.5 A  
 OPTIONAL (INTERNATIONAL).....230 VAC, 50 HZ, SINGLE PHASE, 1.0 A  
 OPTIONAL (INTERNATIONAL).....230 VAC, 60 HZ, SINGLE PHASE, 1.0 A

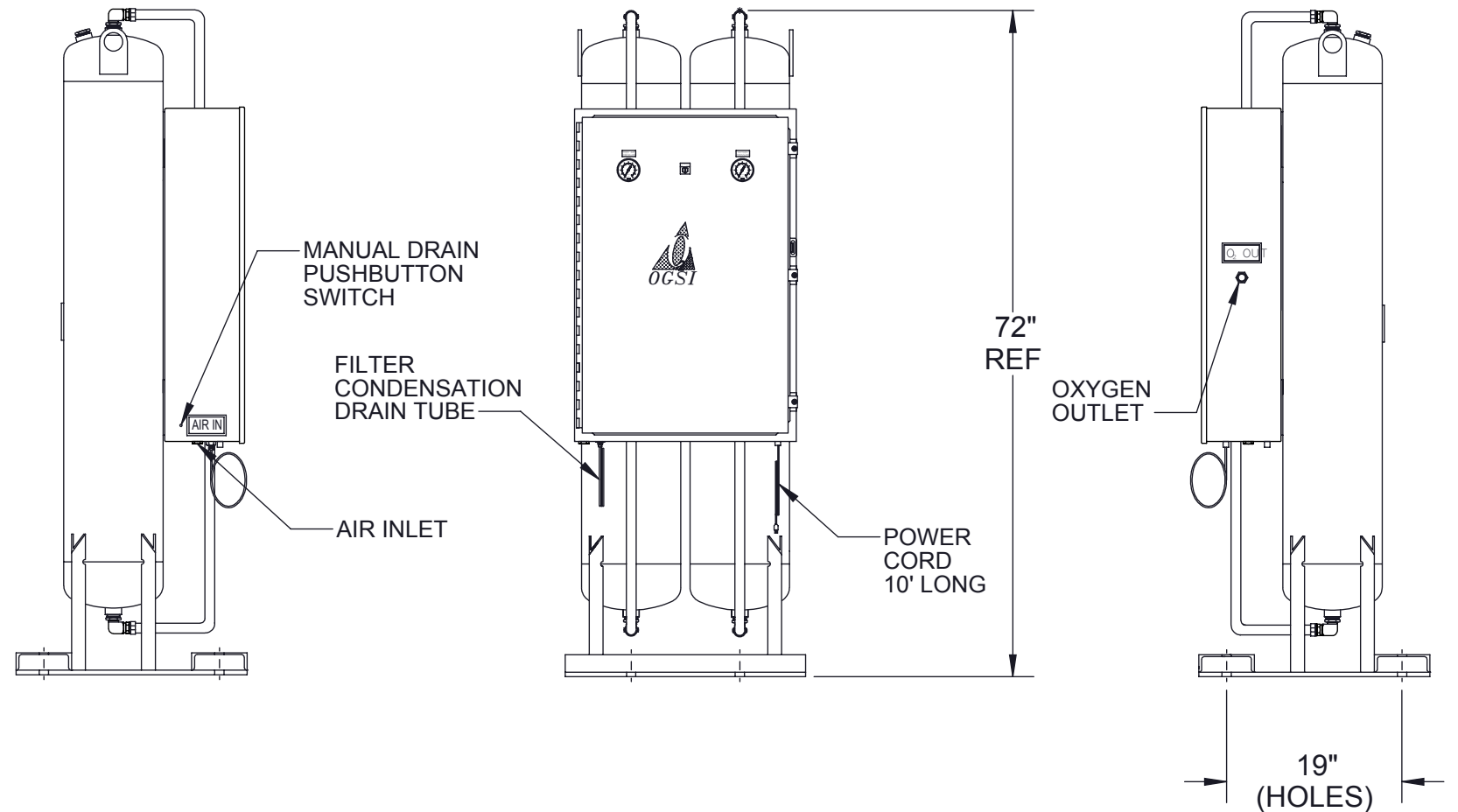
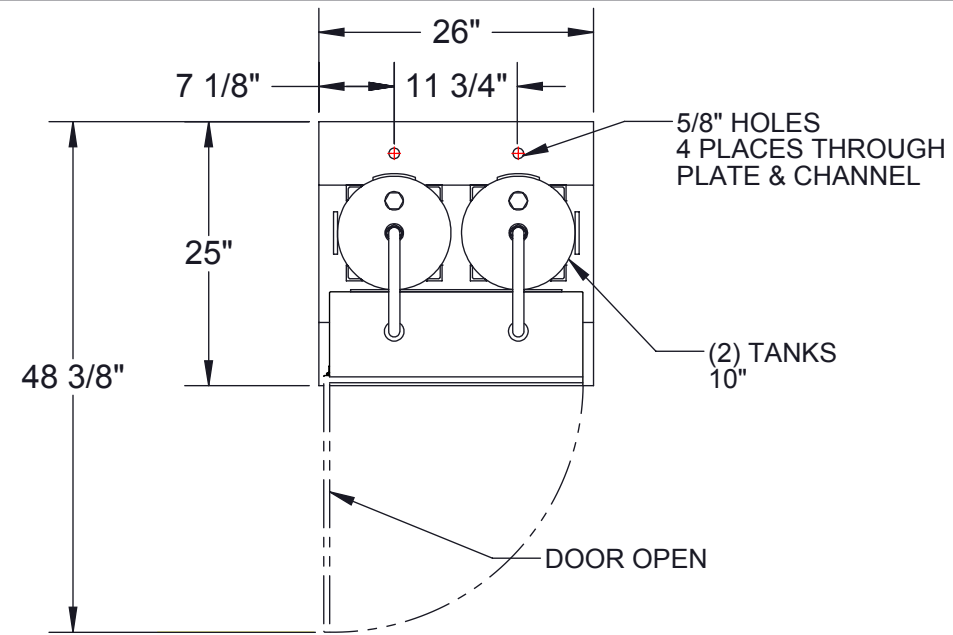
RESPONSE TIME.....APPROXIMATELY 3 CYCLES TO ATTAIN  
 MAXIMUM CONCENTRATION/PURITY AFTER  
 INITIAL START-UP OR EXTENDED SHUTDOWN

POSITIONING.....THE UNIT MUST BE OPERATED IN AN UPRIGHT  
 POSITION ONLY, WITH NO OBSTRUCTION  
 BLOCKING AIR FLOW AROUND THE UNIT,  
 6 IN MINIMUM

RECOMENDED MINIMUM AIR STORAGE TANK (AST) SIZE.....80 GALLONS  
 RECOMENDED MINIMUM OXYGEN STORAGE TANK (OST) SIZE.....80 GALLONS

SPECIFICATIONS: ISO 8573.1 CLASS 1.4.1  
 DIRT PARTICLES 1-5 MICRON.....0  
 WATER PRESSURE DEWPOINT .....+37 °F (3 °C) (940 PPM AT 100 PSIG)  
 OIL CONCENTRATION  
 (INCLUDING VAPOR).....0.01 (<= 3 PPM)

\* A STANDARD CUBIC FOOT (SCF) IS A CUBIC FOOT OF GAS AT  
 14.7 PSIA (SEA LEVEL ATMOSPHERIC PRESSURE) AND 60 °F



<b>PROPRIETARY AND CONFIDENTIAL</b>			
DRAWN: J.FENTON		DATE: 6/28/2012	
CHKD:		DATE:	
<b>UNLESS OTHERWISE SPECIFIED</b>		PART NO: <b>10008</b>	
DECIMALS: .XXX +/- .005		DRAWING TITLE: <b>GENERAL ARRANGEMENT OG-175</b>	
FRACTIONS: +/- 1/16		STOCK NO.	
ANGLES: +/- 1°		QTY.	
REMOVE ALL BURRS AND BREAK SHARP EDGES 1/16" MAX		DESCRIPTION	
DO NOT SCALE DRAWING		MATERIAL	
AUDUBON MACHINERY CORP.		ASSY	
814 Wurlitzer Dr., N. Tonawanda, NY 14120		SHEET: 1 OF 1	