

NOTES:

1. INTERPRET DIMENSIONS AND TOLERANCES PER ASME Y14.5.
2. DIMENSIONS MAY VARY +/- .25 INCH (.63 CM)

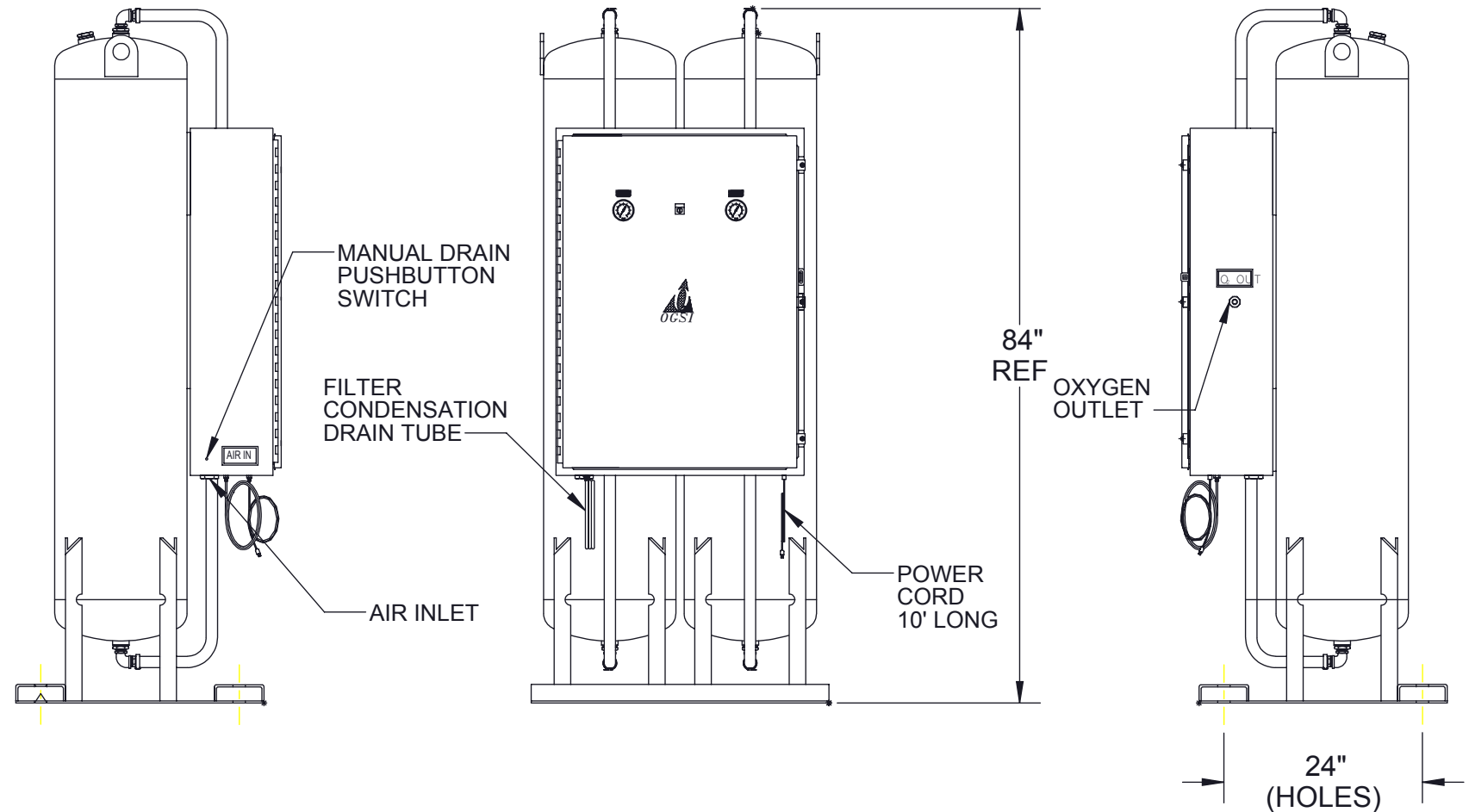
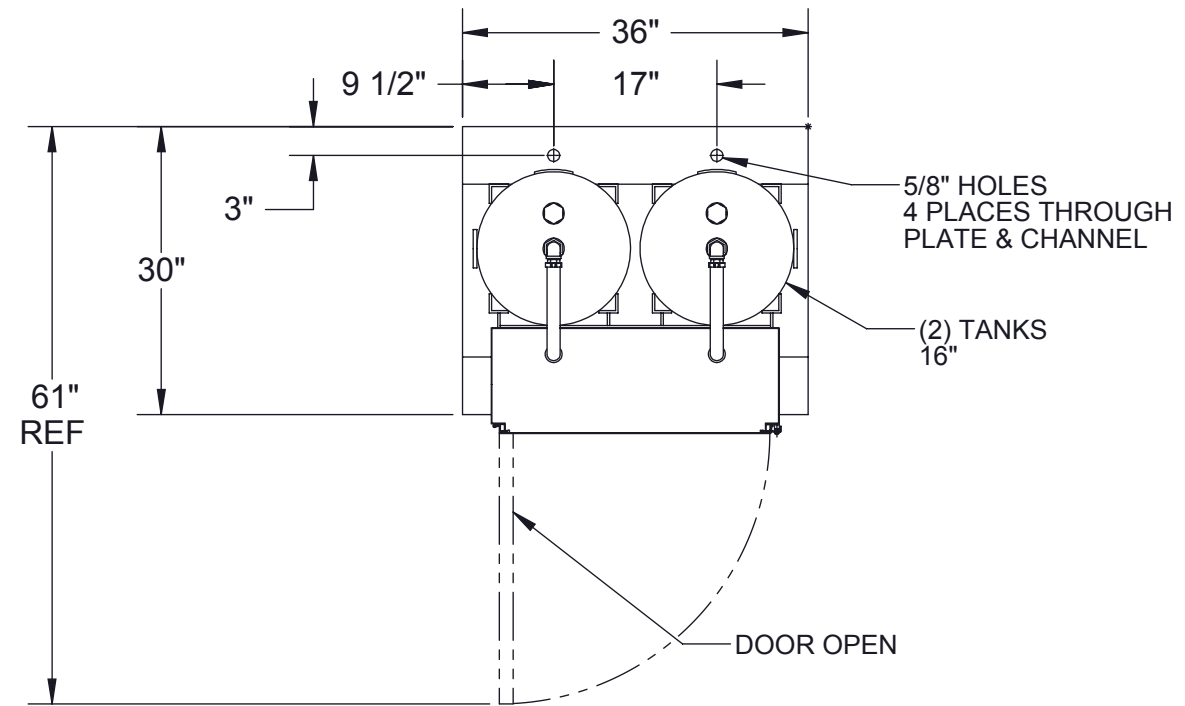
SPECIFICATIONS: OG-375

OXYGEN OUTPUT.....	375 SCFH @ 45 PSI 9.8 Nm ³ /hr @ 310 kPa
OXYGEN DEWPOINT.....	-100 °F (-73 °C)
OXYGEN PURITY.....	93 % ± 3 %
AIR INLET.....	1" FNPT BULKHEAD
OXYGEN OUTLET FITTING.....	CGA 022 (OXYGEN B FITTING)
FEED AIR REQUIREMENTS.....	COMPRESSOR NOT INCLUDED ON STANDARD MODELS 68 SCFM (AVG. FLOW) FOR COMPRESSOR-LESS MODELS AT 90 PSIG INCOMING PRESSURE 1.78 Nm ³ (AVG. FLOW) @ 621 kPa
AIR QUALITY REQ.....	ISO 8573.1 CLASS 1.4.1 MINIMUM (SEE BELOW)
SOUND LEVELS:	
STANDARD (WITHOUT COVER)	70 dBA @ 1 M
DIMENSIONS:	
STANDARD.....	36 IN x 30 IN x 84 IN (WxDxH) (91.4 CM) x (76.2 CM) x (213.4 CM) (WxDxH)
APPROXIMATE WEIGHT:	
STANDARD (NO COVER, NO FEET).....	1350 LB (612 KG)
POWER REQUIREMENTS:	
STANDARD (NORTH AMERICA).....	115 VAC, 60 HZ, SINGLE PHASE, 0.5 A
OPTIONAL (INTERNATIONAL).....	230 VAC, 50 HZ, SINGLE PHASE, 1.0 A
OPTIONAL (INTERNATIONAL).....	230 VAC, 60 HZ, SINGLE PHASE, 1.0 A
RESPONSE TIME.....	APPROXIMATELY 3 CYCLES TO ATTAIN MAXIMUM CONCENTRATION/PURITY AFTER INITIAL START-UP OR EXTENDED SHUTDOWN
POSITIONING.....	THE UNIT MUST BE OPERATED IN AN UPRIGHT POSITION ONLY, WITH NO OBSTRUCTION BLOCKING AIR FLOW AROUND THE UNIT, 6 IN MINIMUM
RECOMENDED MINIMUM AIR STORAGE TANK (AST) SIZE.....	120 GALLONS
RECOMENDED MINIMUM OXYGEN STORAGE TANK (OST) SIZE.....	120 GALLONS

SPECIFICATIONS: ISO 8573.1 CLASS 1.4.1

DIRT PARTICLES 1-5 MICRON.....	0
WATER PRESSURE DEWPOINT	+37 °F (3 °C) (940 PPM AT 100 PSIG)
OIL CONCENTRATION (INCLUDING VAPOR).....	0.01 (<= 3 PPM)

* A STANDARD CUBIC FOOT (SCF) IS A CUBIC FOOT OF GAS AT 14.7 PSIA (SEA LEVEL ATMOSPHERIC PRESSURE) AND 60 °F



PROPRIETARY AND CONFIDENTIAL		DRAWN: J.FENTON		DATE: 7/3/2012		PART NO:		DRAWING TITLE:	
All drawings, descriptions, prints, specifications, etc. bearing this notice, together with the information, and ideas contained therein, are the sole and exclusive property of Audubon Machinery Corp. Any disclosure or use thereof not authorized in writing by Audubon Machinery Corp. is unlawful and will be prosecuted to the full extent of the law.		CHKD:		DATE:		10010		GENERAL ARRANGEMENT OG-375	
UNLESS OTHERWISE SPECIFIED		STOCK NO.		QTY.		DESCRIPTION		MATERIAL	
DECIMALS: .XXX +/- .005								ASSY	
FRACTIONS: +/- 1/16									
ANGLES: +/- 1°									
		REMOVE ALL BURRS AND BREAK SHARP EDGES 1/16" MAX				DO NOT SCALE DRAWING			
AUDUBON MACHINERY CORP.		814 Wurlitzer Dr., N. Tonawanda, NY 14120				SHEET: 1 OF 1			