

**NOTES:**

1. INTERPRET DIMENSIONS AND TOLERANCES PER ASME Y14.5.
2. DIMENSIONS MAY VARY +/- .25 INCH (.63 CM)

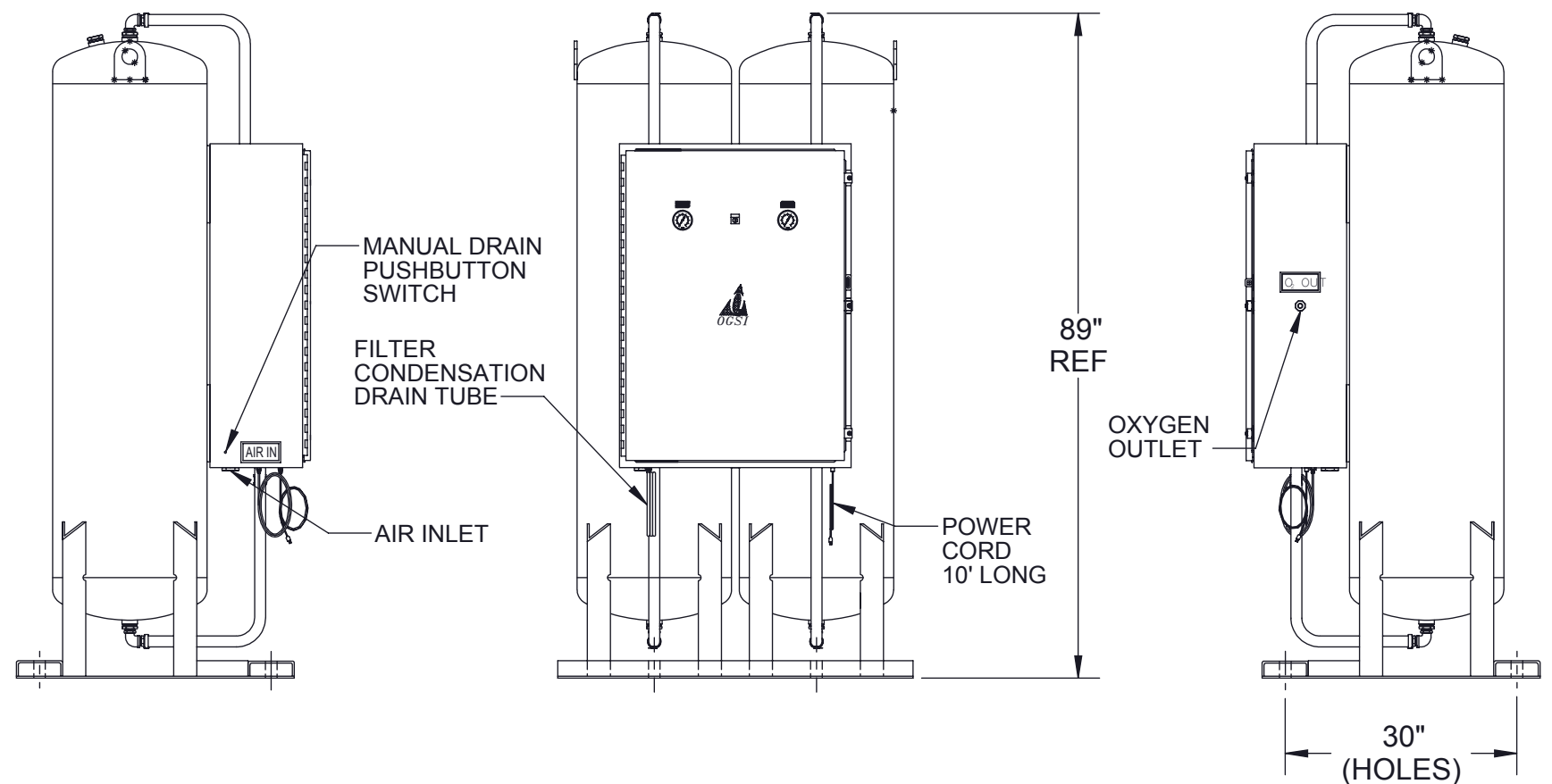
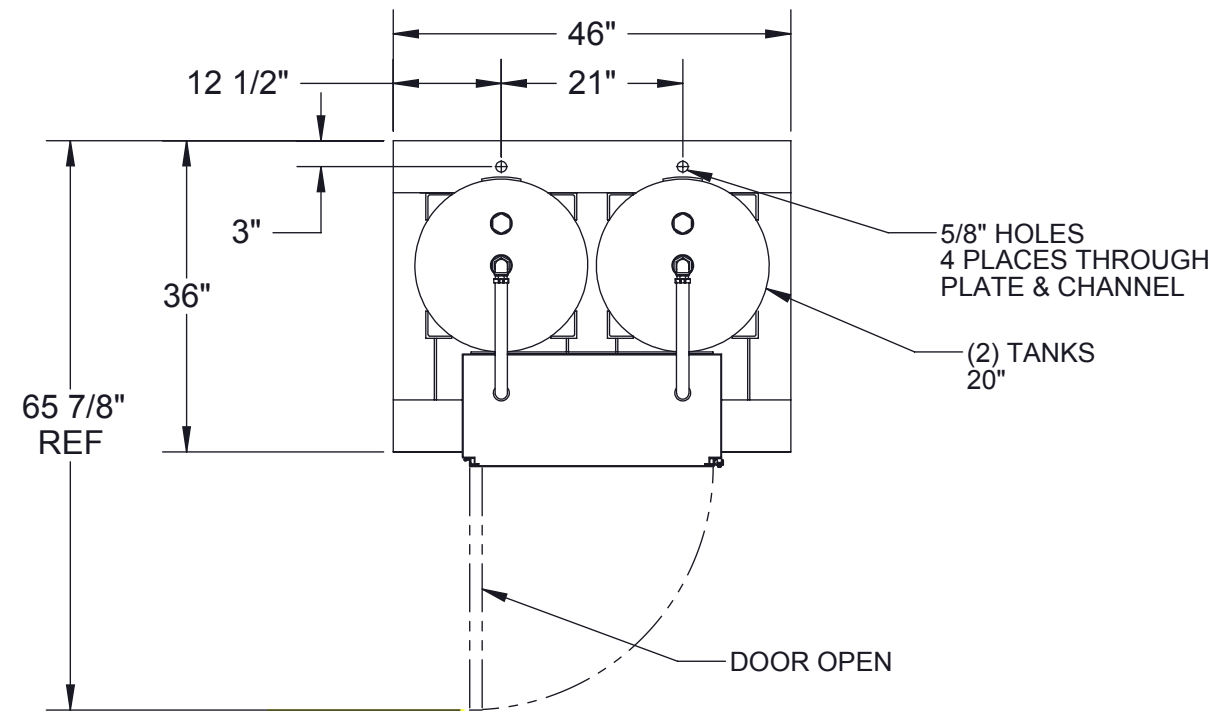
**SPECIFICATIONS: OG-500**

OXYGEN OUTPUT.....	500 SCFH @ 45 PSI 13.1 Nm/hr <sup>3</sup> @ 310 kPa
OXYGEN DEWPOINT.....	-100 °F (-73 °C)
OXYGEN PURITY.....	93 % ± 3 %
AIR INLET.....	1" MNPT BULKHEAD
OXYGEN OUTLET FITTING.....	CGA 022 (OXYGEN B FITTING)
FEED AIR REQUIREMENTS.....	.88 SCFM (AVG. FLOW) AT 90 PSIG INCOMING PRESSURE 2.31 Nm <sup>3</sup> (AVG. FLOW) @ 621 kPa
AIR QUALITY REQ.....	ISO 8573.1 CLASS 1.4.1 MINIMUM (SEE BELOW)
SOUND LEVELS:	
STANDARD (WITHOUT COVER) .....	70 dBA @ 1 M
DIMENSIONS:	
STANDARD.....	46 IN x 36 IN x 89 IN (WxDxH) 116.8 CM x 91.4 CM x 226.1 CM (WxDxH)
APPROXIMATE WEIGHT:	
STANDARD (NO COVER, NO FEET).....	1800 LB (816 KG)
POWER REQUIREMENTS:	
STANDARD (NORTH AMERICA).....	115 VAC, 60 HZ, SINGLE PHASE, 1.0 A
OPTIONAL (INTERNATIONAL).....	230 VAC, 50 HZ, SINGLE PHASE, 0.5 A
OPTIONAL (INTERNATIONAL).....	230 VAC, 60 HZ, SINGLE PHASE, 0.5 A
RESPONSE TIME.....	APPROXIMATELY 3 CYCLES TO ATTAIN MAXIMUM CONCENTRATION/PURITY AFTER INITIAL START-UP OR EXTENDED SHUTDOWN
POSITIONING.....	THE UNIT MUST BE OPERATED IN AN UPRIGHT POSITION ONLY, WITH NO OBSTRUCTION BLOCKING AIR FLOW AROUND THE UNIT, 6 IN MINIMUM
RECOMENDED MINIMUM AIR STORAGE TANK (AST) SIZE.....	120 GALLONS
RECOMENDED MINIMUM OXYGEN STORAGE TANK (OST) SIZE.....	120 GALLONS

**SPECIFICATIONS: ISO 8573.1 CLASS 1.4.1**

DIRT PARTICLES 1-5 MICRON.....	0
WATER PRESSURE DEWPOINT .....	+37 °F (3 °C) (940 PPM AT 100 PSIG)
OIL CONCENTRATION (INCLUDING VAPOR).....	0.01 (<= 3 PPM)

\* A STANDARD CUBIC FOOT (SCF) IS A CUBIC FOOT OF GAS AT 14.7 PSIA (SEA LEVEL ATMOSPHERIC PRESSURE) AND 60 °F



<b>PROPRIETARY AND CONFIDENTIAL</b>			
DRAWN: J.FENTON		DATE: 7/9/2012	
CHKD:		DATE:	
<b>UNLESS OTHERWISE SPECIFIED</b>		PART NO: 10011	
DECIMALS: .XXX +/- .005		DRAWING TITLE: GENERAL ARRANGEMENT OG-500	
FRACTIONS: +/- 1/16		STOCK NO.	QTY.
ANGLES: +/- 1°		DESCRIPTION	
		MATERIAL	
		ASSY	
REMOVE ALL BURRS AND BREAK SHARP EDGES 1/16" MAX			DO NOT SCALE DRAWING
<b>AUDUBON MACHINERY CORP.</b>		<b>814 Wurlitzer Dr., N. Tonawanda, NY 14120</b>	
			SHEET: 1 OF 1