

NOTES:

1. INTERPRET DIMENSIONS AND TOLERANCES PER ASME Y14.5.
2. DIMENSIONS MAY VARY +/- .25 INCH (.63 CM)

SPECIFICATIONS: OG-750

OXYGEN OUTPUT.....750 SCFH @ 45 PSI
 19.7 Nm/hr³ @ 310 kPa

OXYGEN DEWPOINT.....-100 °F (-73 °C)

OXYGEN PURITY.....93 % ± 3 %

AIR INLET.....1" MNPT BULKHEAD

OXYGEN OUTLET FITTING.....CGA 024 (OXYGEN C FITTING)

FEED AIR REQUIREMENTS.....133 SCFM (AVG. FLOW)
 AT 90 PSIG INCOMING PRESSURE
 3.10 Nm³ (AVG. FLOW) @ 621 kPa

AIR QUALITY REQ.....ISO 8573.1 CLASS 1.4.1 MINIMUM (SEE BELOW)

SOUND LEVELS:
 STANDARD (WITHOUT COVER)70 dBA @ 1 M

DIMENSIONS:

STANDARD.....55 IN x 48 IN x 91 IN (WxDxH)
 139.7 CM x 121.9 CM x 231.1 CM (WxDxH)

APPROXIMATE WEIGHT:

STANDARD (NO COVER, NO FEET).....4000 LB (1814 KG)

POWER REQUIREMENTS:

STANDARD (NORTH AMERICA).....115 VAC, 60 HZ, SINGLE PHASE, 1.0 A

OPTIONAL (INTERNATIONAL).....230 VAC, 50 HZ, SINGLE PHASE, 0.5 A

OPTIONAL (INTERNATIONAL).....230 VAC, 60 HZ, SINGLE PHASE, 0.5 A

RESPONSE TIME.....APPROXIMATELY 3 CYCLES TO ATTAIN
 MAXIMUM CONCENTRATION/PURITY AFTER
 INITIAL START-UP OR EXTENDED SHUTDOWN

POSITIONING.....THE UNIT MUST BE OPERATED IN AN UPRIGHT
 POSITION ONLY, WITH NO OBSTRUCTION
 BLOCKING AIR FLOW AROUND THE UNIT,
 6 IN MINIMUM

RECOMENDED MINIMUM AIR STORAGE TANK (AST) SIZE.....200 GALLONS

RECOMENDED MINIMUM OXYGEN STORAGE TANK (OST) SIZE.....200 GALLONS

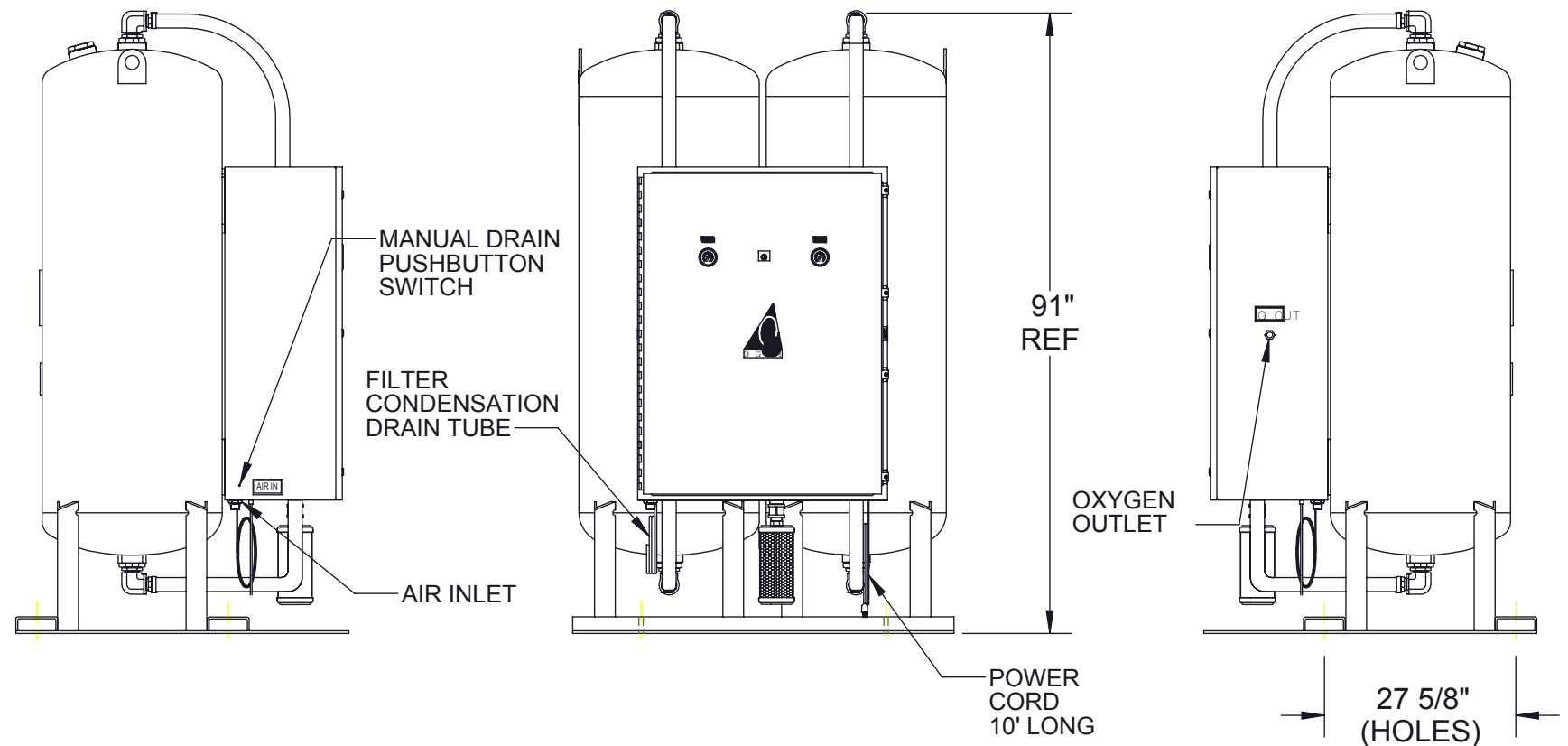
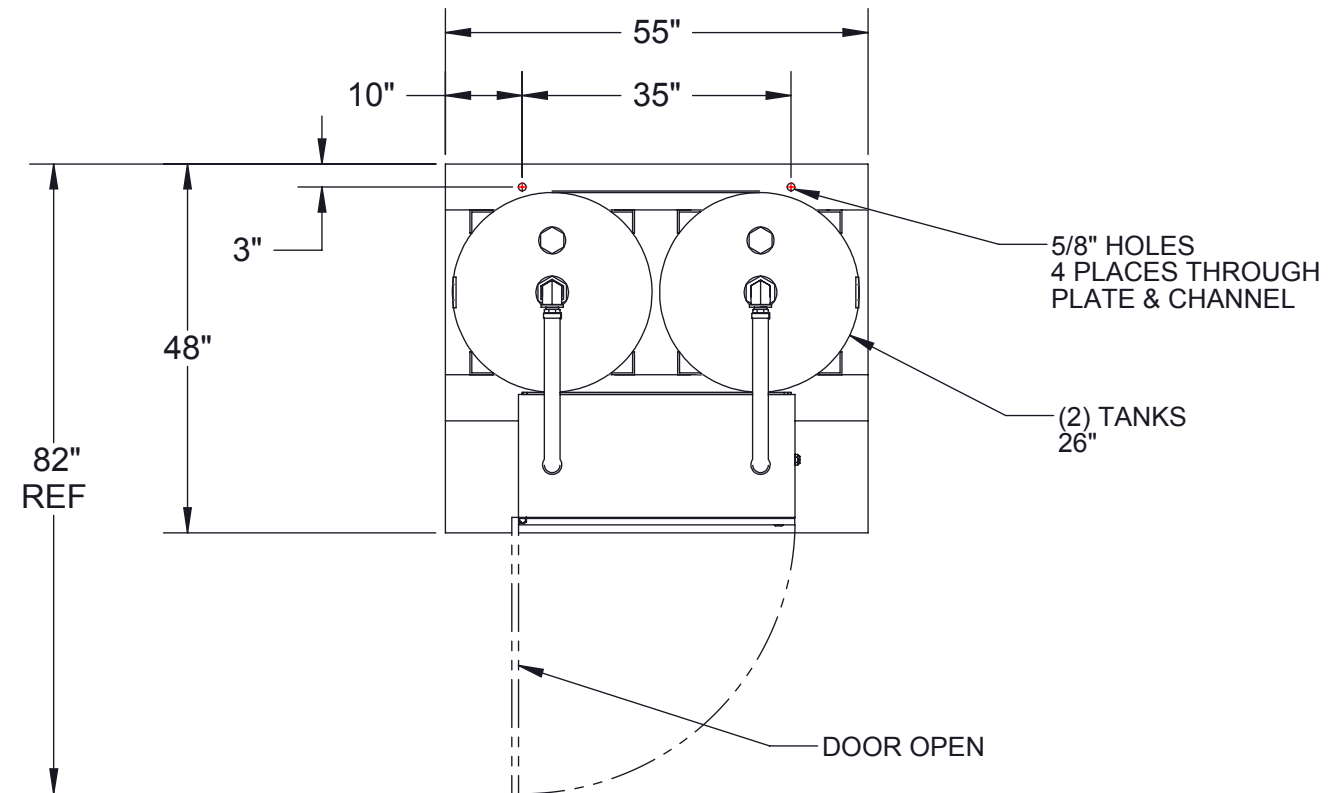
SPECIFICATIONS: ISO 8573.1 CLASS 1.4.1

DIRT PARTICLES 1-5 MICRON.....0

WATER PRESSURE DEWPOINT+37 °F (3 °C) (940 PPM AT 100 PSIG)

OIL CONCENTRATION
 (INCLUDING VAPOR).....0.01 (<= 3 PPM)

* A STANDARD CUBIC FOOT (SCF) IS A CUBIC FOOT OF GAS AT
 14.7 PSIA (SEA LEVEL ATMOSPHERIC PRESSURE) AND 60 °F



PROPRIETARY AND CONFIDENTIAL			
All drawings, descriptions, prints, specifications, etc. bearing this notice, together with the information, and ideas contained therein, are the sole and exclusive property of Audubon Machinery Corp. Any disclosure or use thereof not authorized in writing by Audubon Machinery Corp. is unlawful and will be prosecuted to the full extent of the law.			
DRAWN: J.FENTON	DATE: 7/10/2012	PART NO: 10013	
CHKD:	DATE:	DRAWING TITLE: GENERAL ARRANGEMENT OG-750	
UNLESS OTHERWISE SPECIFIED		STOCK NO.	QTY.
DECIMALS: .XXX +/- .005	FRACTIONS: +/- 1/16	DESCRIPTION	
.XX +/- .02	ANGLES: +/- 1°	MATERIAL	
		ASSY	
REMOVE ALL BURRS AND BREAK SHARP EDGES 1/16" MAX			DO NOT SCALE DRAWING
AUDUBON MACHINERY CORP.			814 Wurlitzer Dr., N. Tonawanda, NY 14120
			SHEET: 1 OF 1