

NOTES:

1. INTERPRET DIMENSIONS AND TOLERANCES PER ASME Y14.5.
2. DIMENSIONS MAY VARY +/- .25 INCH (.63 CM)

SPECIFICATIONS: OG-1250

OXYGEN OUTPUT.....1250 SCFH @ 45 PSI
 32.9 Nm³/hr @ 310 kPa

OXYGEN DEWPOINT.....-100 °F (-73 °C)

OXYGEN PURITY.....93 % ± 3 %

AIR INLET.....1" MNPT BULKHEAD

OXYGEN OUTLET FITTING.....CGA 024 (OXYGEN C FITTING)

FEED AIR REQUIREMENTS......225 SCFM (AVG. FLOW)
 AT 90 PSIG INCOMING PRESSURE
 5.91 Nm³ (AVG. FLOW) @ 621 kPa

AIR QUALITY REQ.....ISO 8573.1 CLASS 1.4.1 MINIMUM (SEE BELOW)

SOUND LEVELS:
 STANDARD (WITHOUT COVER)75 dBA @ 1 M

DIMENSIONS:
 STANDARD.....60 IN x 50 IN x 126 IN (WxDxH)
 152.4 CM x 127 CM x 320 CM (WxDxH)

APPROXIMATE WEIGHT:
 STANDARD.....4500 LB (2041 KG)

POWER REQUIREMENTS:
 STANDARD (NORTH AMERICA).....115 VAC, 60 HZ, SINGLE PHASE, 1.0 A
 OPTIONAL (INTERNATIONAL).....230 VAC, 50 HZ, SINGLE PHASE, 0.5 A
 OPTIONAL (INTERNATIONAL).....230 VAC, 60 HZ, SINGLE PHASE, 0.5 A

RESPONSE TIME.....APPROXIMATELY 3 CYCLES TO ATTAIN
 MAXIMUM CONCENTRATION/PURITY AFTER
 INITIAL START-UP OR EXTENDED SHUTDOWN

POSITIONING.....THE UNIT MUST BE OPERATED IN AN UPRIGHT
 POSITION ONLY, WITH NO OBSTRUCTION
 BLOCKING AIR FLOW AROUND THE UNIT,
 6 IN MINIMUM CLEARANCE ON ALL SIDES.

RECOMENDED MINIMUM AIR STORAGE TANK (AST) SIZE.....400 GALLONS

RECOMENDED MINIMUM OXYGEN STORAGE TANK (OST) SIZE.....400 GALLONS

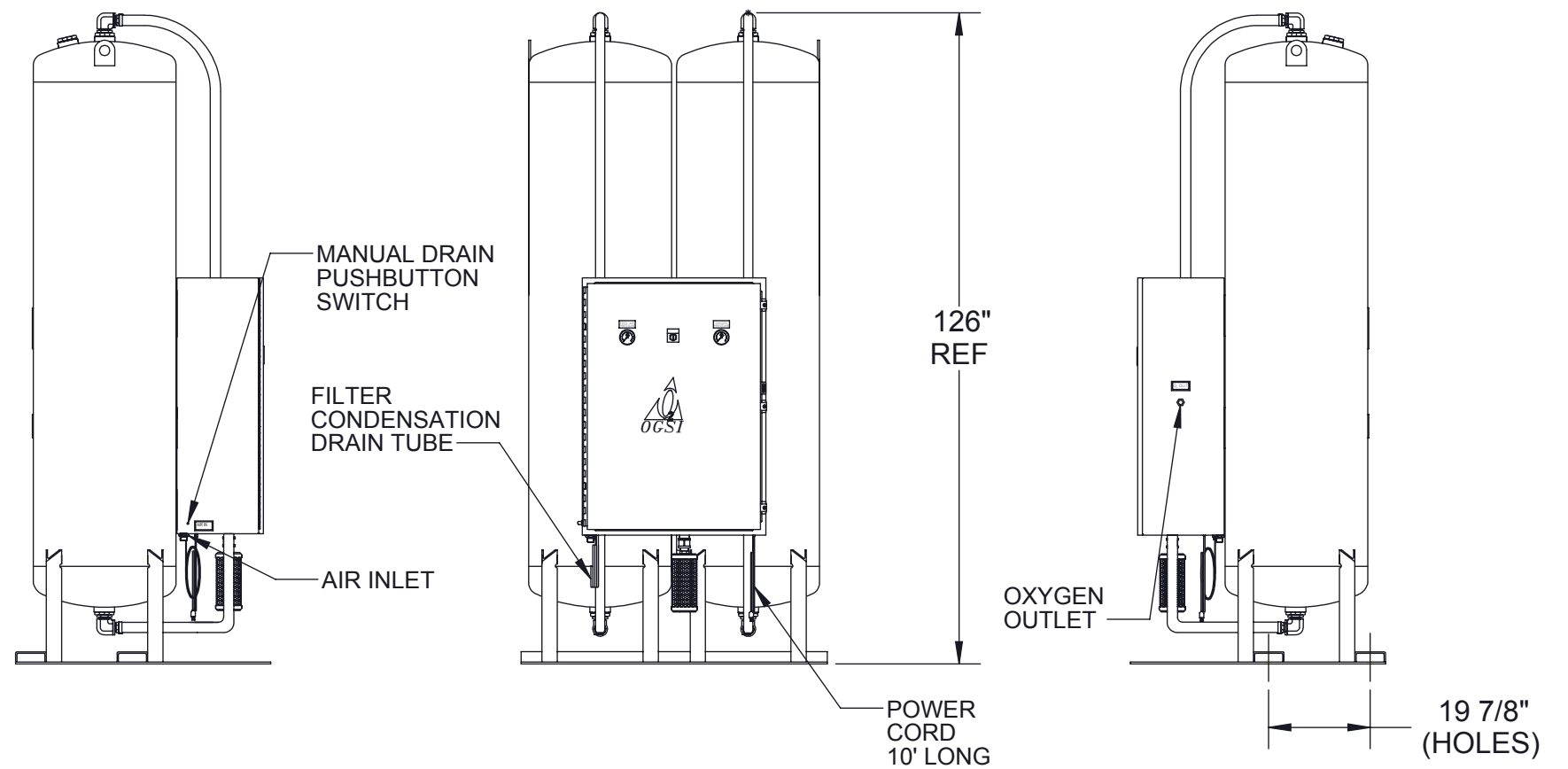
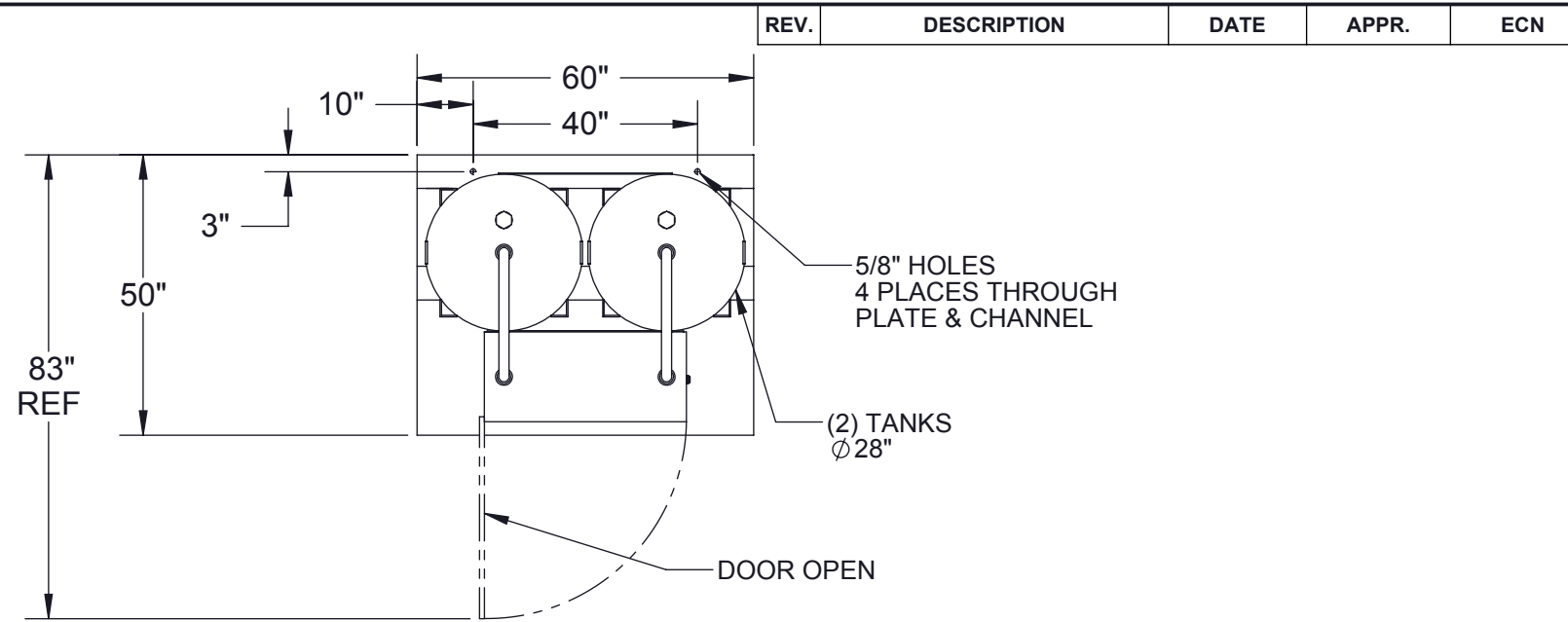
SPECIFICATIONS: ISO 8573.1 CLASS 1.4.1

DIRT PARTICLES 1-5 MICRON.....0

MAX PRESSURE DEWPOINT+37 °F (3 °C) (940 PPM AT 100 PSIG)

MAX OIL CONCENTRATION
 (INCLUDING VAPOR).....0.01 (<= 3 PPM)

* A STANDARD CUBIC FOOT (SCF) IS A CUBIC FOOT OF GAS AT
 14.7 PSIA (SEA LEVEL ATMOSPHERIC PRESSURE) AND 60 °F



PROPRIETARY AND CONFIDENTIAL
 All drawings, descriptions, prints, specifications, etc. bearing this notice, together with the information, and ideas contained therein, are the sole and exclusive property of Audubon Machinery Corp. Any disclosure or use thereof not authorized in writing by Audubon Machinery Corp. is unlawful and will be prosecuted to the full extent of the law.

| | | | | | |
|-----------------------------------|---------------------|--|------|--|----------------------|
| DRAWN: J.FENTON | DATE: 07/17/12 | PART NO: 10015 | | DRAWING TITLE: GENERAL ARRANGEMENT OG-1250 | |
| CHKD: S. GILMOUR | DATE: 09/03/14 | STOCK NO. | QTY. | DESCRIPTION | MATERIAL |
| UNLESS OTHERWISE SPECIFIED | | REMOVE ALL BURRS AND BREAK SHARP EDGES 1/16" MAX | | | |
| DECIMALS: .XXX +/- .005 | FRACTIONS: +/- 1/16 | | | | DO NOT SCALE DRAWING |
| .XX +/- .02 | ANGLES: +/- 1° | | | | SHEET: 1 OF 1 |
| AUDUBON MACHINERY CORP. | | 814 Wurlitzer Dr., N. Tonawanda, NY 14120 | | | |