

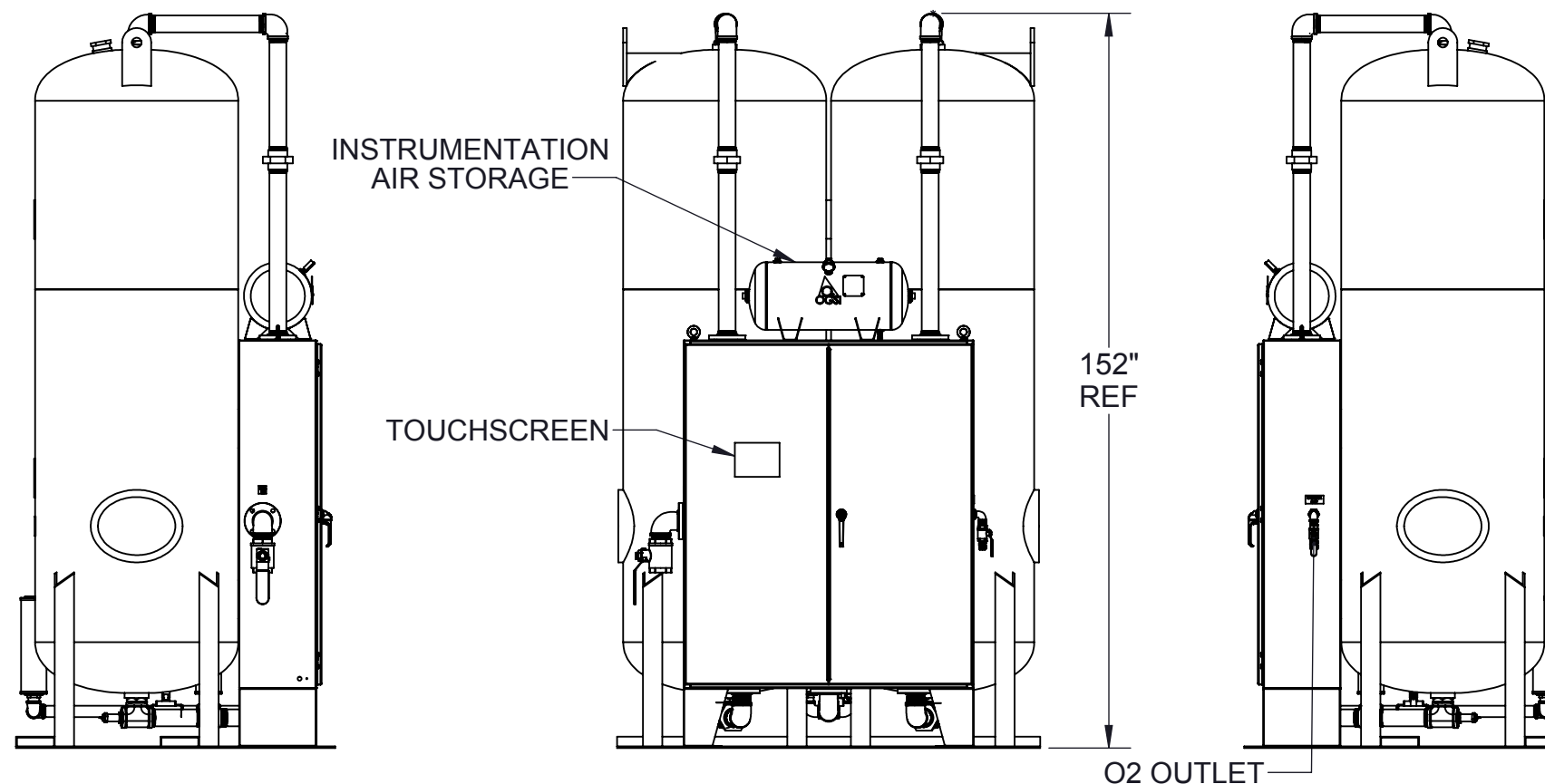
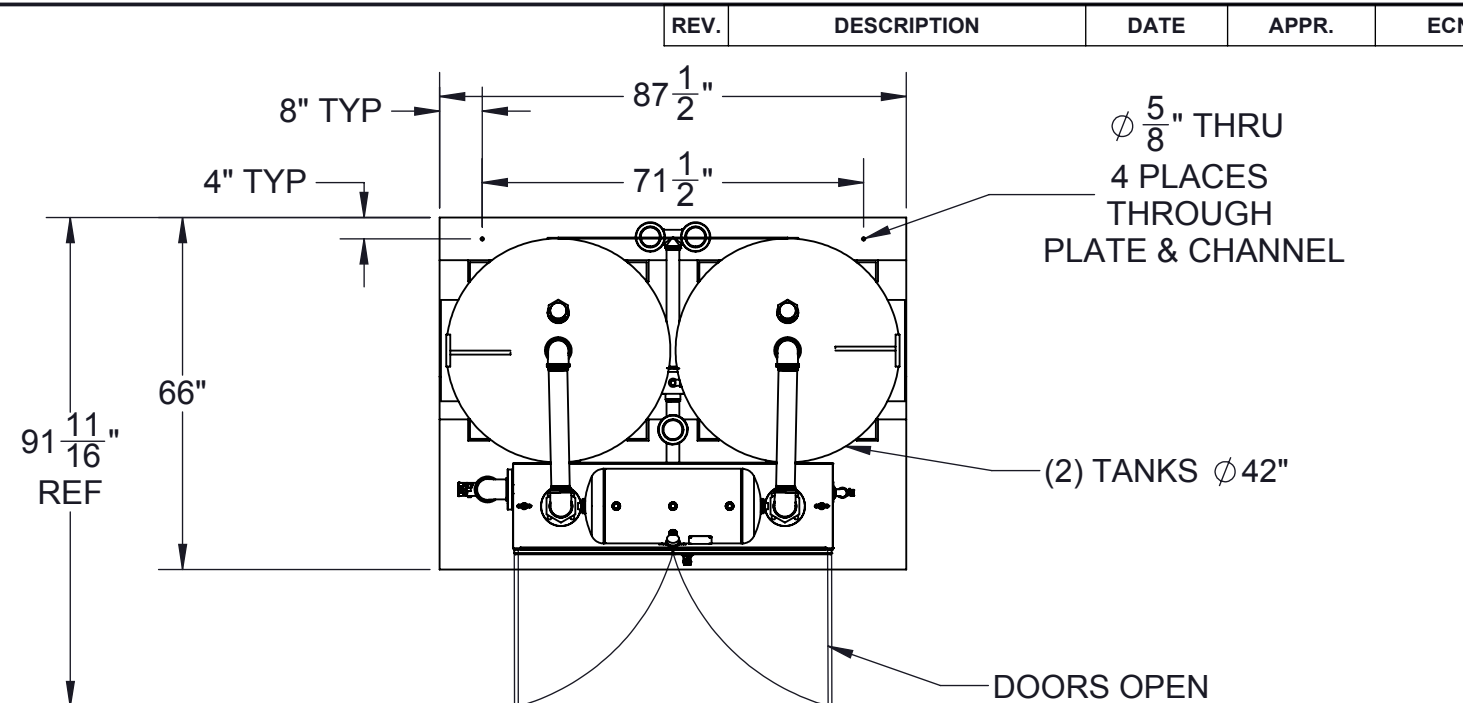
**NOTES:**

1. INTERPRET DIMENSIONS AND TOLERANCES PER ASME Y14.5.
2. DIMENSIONS MAY VARY +/- .25 INCH (.63 CM)

**SPECIFICATIONS: OG-3000**

OXYGEN OUTPUT.....	3000 SCFH @ 45 PSI 80.25 Nm/hr <sup>3</sup> @ 310 kPa
OXYGEN DEWPOINT.....	-100 °F (-73 °C)
OXYGEN PURITY.....	93 % ± 3 %
AIR INLET.....	3" NPT BULKHEAD
OXYGEN OUTLET FITTING.....	1-1/2" FNPT BULKHEAD (1-1/2" NPT OXYGEN COUPLING)
FEED AIR REQUIREMENTS.....	COMPRESSOR NOT INCLUDED ON STANDARD MODELS 675 SCFM (AVG. FLOW) FOR COMPRESSOR-LESS MODELS AT 90 PSIG INCOMING PRESSURE 17.77 Nm <sup>3</sup> /min (AVG. FLOW) @ 621 kPa
AIR QUALITY REQ.....	ISO 8573.1 CLASS 1.4.1 MINIMUM (SEE BELOW)
SOUND LEVELS:	
STANDARD (WITHOUT COVER) .....	76 dBA @ 1 M
DIMENSIONS:	
STANDARD.....	75 IN x 57 IN x 150.8 IN (WxDxH) (190.5 CM) x (144.8 CM) x (383 CM) (WxDxH)
APPROXIMATE WEIGHT:	
STANDARD (NO COVER, NO FEET).....	11,000 LB (4990 KG)
POWER REQUIREMENTS:	
STANDARD (NORTH AMERICA).....	115 VAC, 60 HZ, SINGLE PHASE, 6.0 A
OPTIONAL (INTERNATIONAL).....	230 VAC, 50 HZ, SINGLE PHASE, 3.0 A
OPTIONAL (INTERNATIONAL).....	230 VAC, 60 HZ, SINGLE PHASE, 3.0 A
RESPONSE TIME.....	APPROXIMATELY 2 MINUTES TO ATTAIN MAXIMUM CONCENTRATION/PURITY AFTER INITIAL START-UP OR EXTENDED SHUTDOWN
POSITIONING.....	THE UNIT MUST BE OPERATED IN AN UPRIGHT POSITION ONLY, WITH NO OBSTRUCTION BLOCKING AIR FLOW AROUND THE UNIT, 6 IN MINIMUM
RECOMENDED MINIMUM AIR STORAGE TANK (AST) SIZE.....	1060 GALLONS
RECOMENDED MINIMUM OXYGEN STORAGE TANK (OST) SIZE.....	1060 GALLONS
SPECIFICATIONS: ISO 8573.1 CLASS 1.4.1	
DIRT PARTICLES 1-5 MICRON.....	0
WATER PRESSURE DEWPOINT .....	+37°F (940 PPM AT 100 PSIG)
OIL CONCENTRATION (INCLUDING VAPOR).....	0.01

\* A STANDARD CUBIC FOOT (SCF) IS A CUBIC FOOT OF GAS AT 14.7 PSIA (SEA LEVEL ATMOSPHERIC PRESSURE) AND 60 °F



<b>PROPRIETARY AND CONFIDENTIAL</b>		DRAWN: A. MOEHLAU DATE: 08/11/15		PART NO: 10019		DRAWING TITLE: GEN ARRANGEMENT, OG-3000 S6	
All drawings, descriptions, prints, specifications, etc. bearing this notice, together with the information, and ideas contained therein, are the sole and exclusive property of Audubon Machinery Corp. Any disclosure or use thereof not authorized in writing by Audubon Machinery Corp. is unlawful and will be prosecuted to the full extent of the law.		CHKD: A. KAMBLE DATE: 09/24/15		STOCK NO.		QTY.	
<b>UNLESS OTHERWISE SPECIFIED</b>		DECIMALS: .XXX +/- .005		FRACTIONS: +/- 1/16		DESCRIPTION	
		.XX +/- .02		ANGLES: +/- 1°		MATERIAL	
REMOVE ALL BURRS AND BREAK SHARP EDGES 1/16" MAX						DO NOT SCALE DRAWING	
AUDUBON MACHINERY CORP.				814 Wurlitzer Dr., N. Tonawanda, NY 14120			
						SHEET: 1 OF 1	

Z:\Engineering\OGSI products\General Arrangement Drawings\OG3000