

NOTES:

1. INTERPRET DIMENSIONS AND TOLERANCES PER ASME Y14.5.
2. DIMENSIONS MAY VARY ± 0.25 IN (0.63 CM)
3. SIEVE BEDS, ENCLOSURE, AIR VALVE STORAGE TANK WILL BE SHIPPED SEPARATELY AND ASSEMBLED ON SITE

REVISIONS			
REV.	DATE	APPR.	DESCRIPTION

SPECIFICATIONS: OG-4000

OXYGEN OUTPUT.....4000 SCFH @ 45 PSI
 107 NM³/HR @ 3.1 BAR

OXYGEN DEWPOINT.....-100 °F (-73 °C)

OXYGEN PURITY.....93 % ± 3 %

AIR FLOW REQ.....950 SCFM (AVG. FLOW) @ 90 PSI
 26 NM³/MIN (AVG. FLOW) @ 6.2 BAR

AIR QUALITY REQ.....ISO 8573.1 CLASS 1.4.1 MINIMUM (SEE BELOW)

SOUND LEVELS.....86 dBA @ 1 M

DIMENSIONS.....86 IN x 79 IN x 177 IN (WxDxH)
 218 CM x 201 CM x 450 CM (WxDxH)

WEIGHT.....12500 LB (5670 KG) APPROXIMATE

POWER.....110 VAC, 60 Hz, 50 W (STANDARD) *or*
 220 VAC, 50 Hz, 50 W (OPTIONAL)

AIR INLET.....4 IN Ø PIPE NPT FLANGE

OXYGEN OUTLET.....1.5 IN Ø FLANGE

RECOMMENDED MINIMUM AIR STORAGE TANK (AST) SIZE: 1550 GAL

RECOMMENDED MINIMUM OXYGEN STORAGE TANK (OST) SIZE: 1550 GAL

SPECIFICATIONS: ISO 8573.1 CLASS 1.4.1

DIRT PARTICLES.....0
 1-5 MICRON

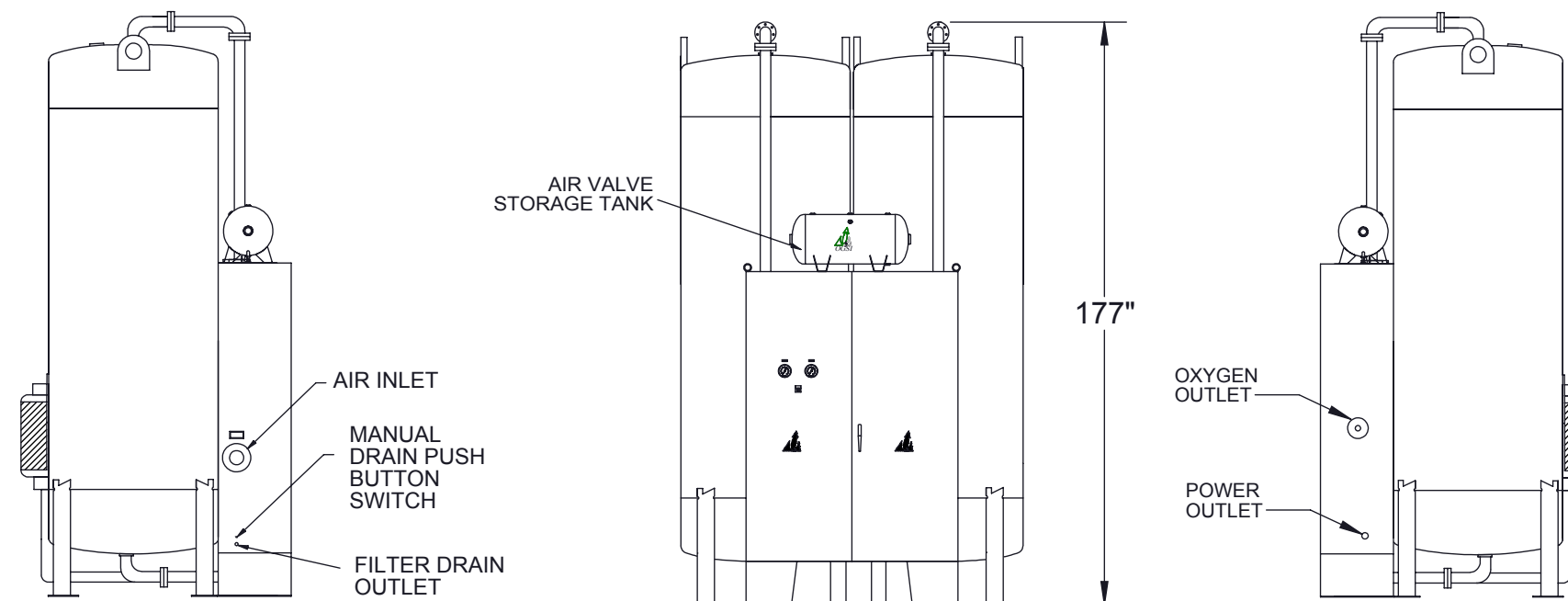
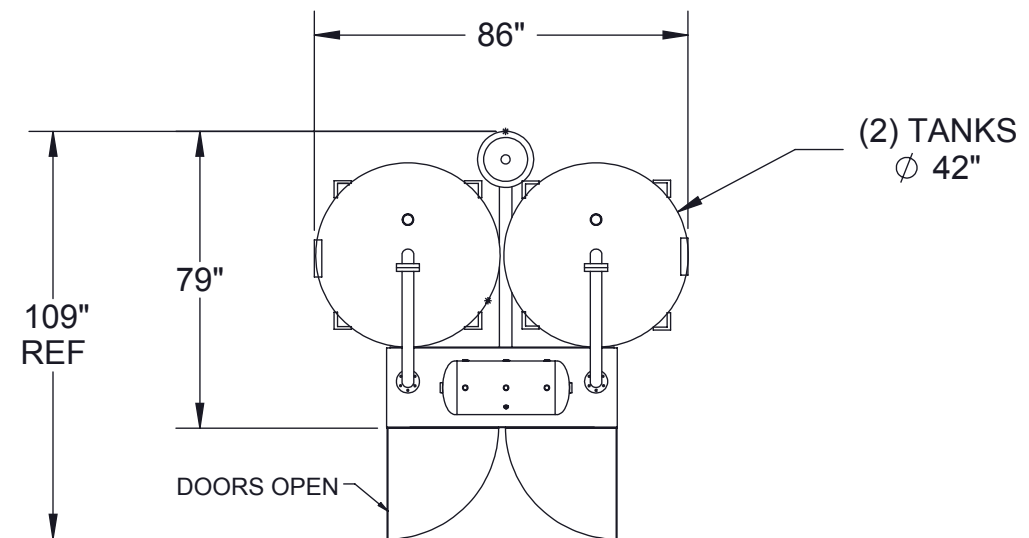
WATER PRESSURE.....<= +37°F (940 PPM AT 100 PSI)
 DEWPOINT

OIL CONCENTRATION.....<= 5 PPM
 (INCLUDING VAPOR)

OPERATING CONDITIONS:
 MINIMUM TEMPERATURE.....40 °F (5 °C)
 MAXIMUM TEMPERATURE.....100 °F (38 °C)

NEAR SEA LEVEL CONDITIONS

RELATIVE DEWPOINT OF AIR.....37 °F AT 100 PSI



<p>PROPRIETARY AND CONFIDENTIAL</p> <p>All drawings, descriptions, prints, specifications, etc. bearing this notice, together with the information, and ideas contained therein, are the sole and exclusive property of Audubon Machinery Corp. Any disclosure or use thereof not authorized in writing by Audubon Machinery Corp. is unlawful and will be prosecuted to the full extent of the law.</p>	DRAWN: A. KAMBLE DATE: 06/19/12	PART NO: 10020		DRAWING TITLE: GENERAL ARRANGEMENT OG-4000		
	UNLESS OTHERWISE SPECIFIED DECIMALS: .XXX +/- .005 FRACTIONS: +/- 1/16 ANGLES: +/- 1°	STOCK NO.	QTY.	DESCRIPTION	MATERIAL	
	REMOVE ALL BURRS AND BREAK SHARP EDGES 1/16" MAX	DO NOT SCALE DRAWING				
	AUDUBON MACHINERY CORP.			814 Wurlitzer Dr., N. Tonawanda, NY 14120		