

**NOTES:**

1. INTERPRET DIMENSIONS AND TOLERANCES PER ASME Y14.5.
2. DIMENSIONS MAY VARY ± 0.25 IN (0.63 CM).

**SPECIFICATIONS: MOGS-100**

OXYGEN OUTPUT.....100 SCFH  
50 LPM

OXYGEN PRESSURE.....HIGH PRESSURE: UP TO 2200 PSI (152 BAR)  
LOW PRESSURE: UP TO 70 PSI (4.8 BAR)

OXYGEN DEWPOINT.....-100 °F (-73 °C)

OXYGEN PURITY.....93 % ± 3 %

CO<sub>2</sub> OUTPUT.....<=/ 300 PPM

CO OUTPUT.....<=/ 10 PPM

AIR QUALITY REQ.....ISO 8573.1 CLASS 1.4.1 MINIMUM (SEE BELOW)

SOUND LEVELS.....65 dBA @ 1 M (DOOR CLOSED)

DIMENSIONS.....34 IN x 70 IN x 72 IN (WxDxH)  
86 CM x 178 CM x 183 CM (WxDxH)

WEIGHT.....2550 LB (1157 KG) APPROXIMATE

POWER.....230 VAC, 50/60 Hz, SINGLE PHASE, 30 A  
*DO NOT RUN AT 208 VAC*

AIR INLET FILTRATION LEVEL.....0.3 MICRON

OXYGEN OUTLET.....1/4" FNPT BULKHEAD

CYLINDER OXYGEN FITTING.....CGA 870

AUXILIARY OUTLET FITTING.....1/4" FNPT (2 X)

POSITIONING.....NO CLOSER THAN 18 IN (46 CM) FROM BACK  
WALL. LEAVE AT LEAST 18 IN (46 CM) ON EACH SIDE.

**SPECIFICATIONS: ISO 8573.1 CLASS 1.4.1**

DIRT PARTICLES.....0  
1-5 MICRON

WATER PRESSURE.....<=/ +37°F (940 PPM AT 100 PSI)  
DEWPOINT

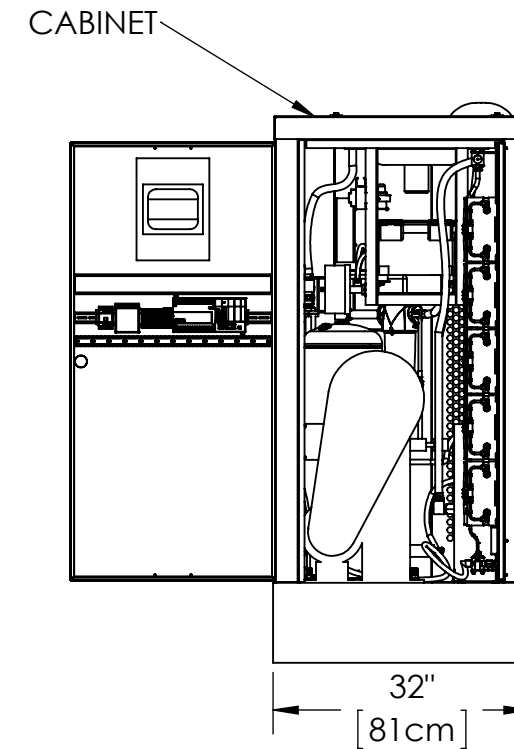
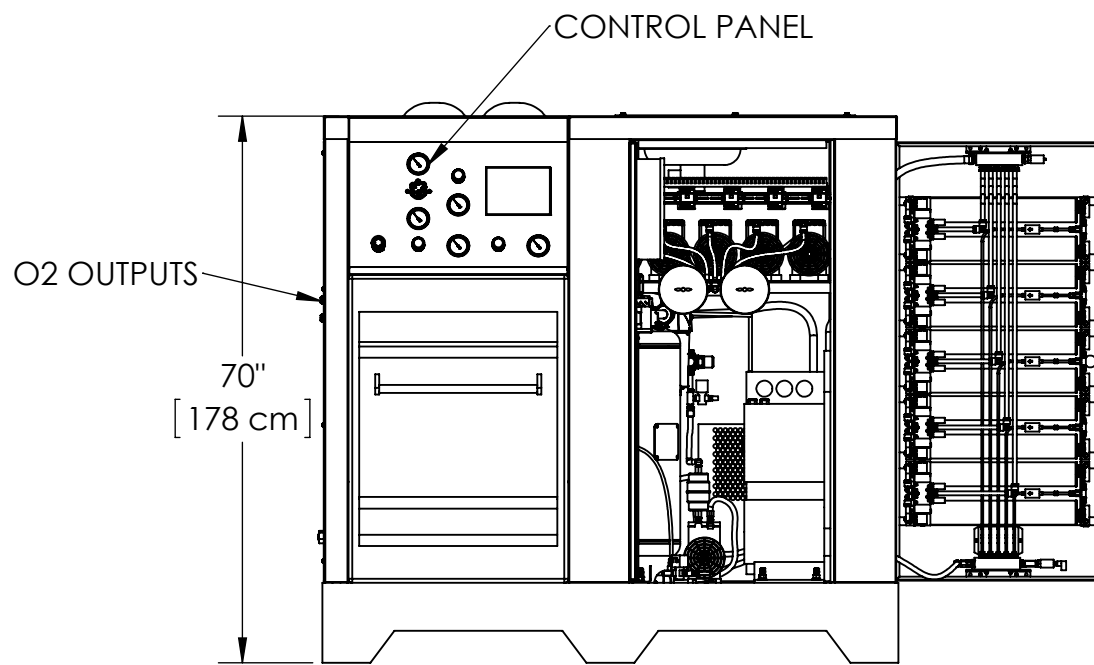
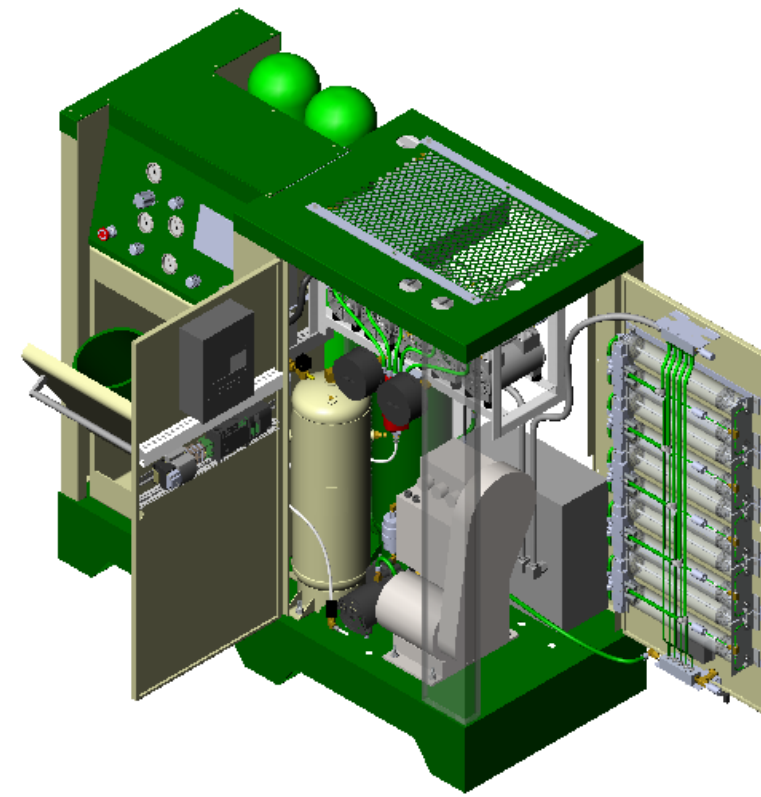
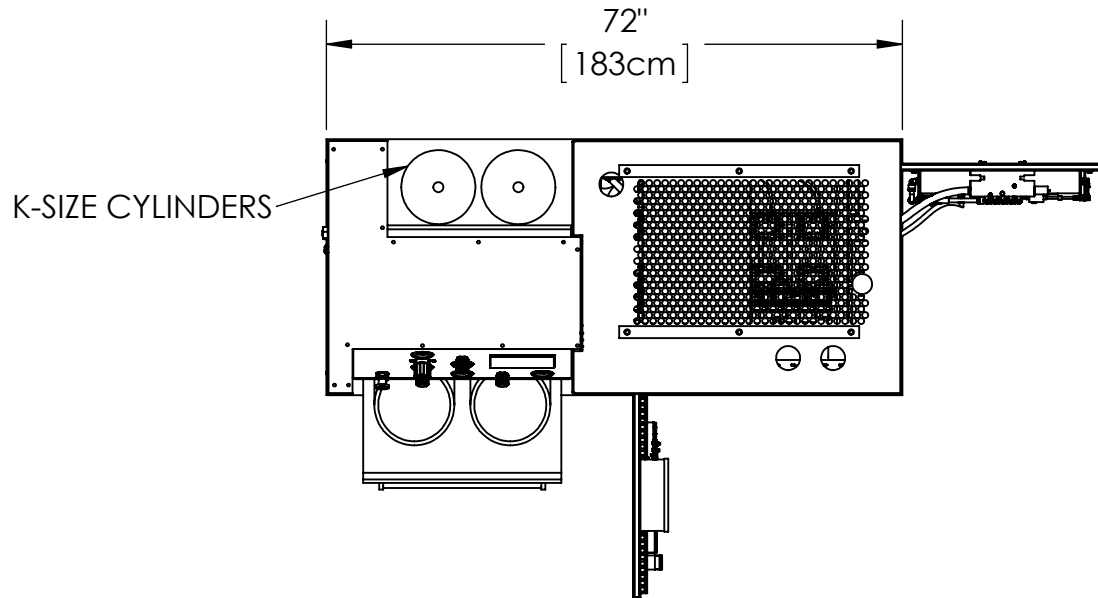
OIL CONCENTRATION.....<=/ 5 PPM  
(INCLUDING VAPOR)

OPERATING CONDITIONS:  
MINIMUM TEMPERATURE.....40 °F (5 °C)  
MAXIMUM TEMPERATURE.....100 °F (38 °C)

NEAR SEA LEVEL CONDITIONS

RELATIVE DEWPOINT OF AIR.....37 °F AT 100 PSI

REV.	DESCRIPTION	DATE	APPR.	ECN
------	-------------	------	-------	-----



<b>PROPRIETARY AND CONFIDENTIAL</b> All drawings, descriptions, prints, specifications, etc. bearing this notice, together with the information, and ideas contained therein, are the sole and exclusive property of Audubon Machinery Corp. Any disclosure or use thereof not authorized in writing by Audubon Machinery Corp. is unlawful and will be prosecuted to the full extent of the law.		DRAWN: T. WHETSTONE DATE: 02/26/15	PART NO: 10026		DRAWING TITLE: GENERAL ARRANGEMENT MOGS-100	
CHKD: S. GILMOUR DATE: 02/26/15		STOCK NO.		QTY.	DESCRIPTION	MATERIAL
UNLESS OTHERWISE SPECIFIED DECIMALS: .XXX +/- .005 .XX +/- .02 FRACTIONS: +/- 1/16 ANGLES: +/- 1°		REMOVE ALL BURRS AND BREAK SHARP EDGES 1/16" MAX				DO NOT SCALE DRAWING
AUDUBON MACHINERY CORP.		814 Wurlitzer Dr., N. Tonawanda, NY 14120				SHEET: 1 OF 1