

NOTES:

1. INTERPRET DIMENSIONS AND TOLERANCES PER ASME Y14.5.
2. DIMENSIONS MAY VARY ± 0.25 IN (0.63 CM).

SPECIFICATIONS: MOGS-50

OXYGEN OUTPUT.....50 SCFH
25 LPM

OXYGEN PRESSURE.....HIGH PRESSURE: UP TO 2200 PSI (152 BAR)
LOW PRESSURE: UP TO 70 PSI (4.8 BAR)

OXYGEN DEWPOINT.....-100 °F (-73 °C)

OXYGEN PURITY.....93 % ± 3 %

CO₂ OUTPUT.....<=/ 300 PPM

CO OUTPUT.....<=/ 10 PPM

AIR QUALITY REQ.....ISO 8573.1 CLASS 1.4.1 MINIMUM (SEE BELOW)

SOUND LEVELS.....65 dBA @ 1 M (DOOR CLOSED)

DIMENSIONS.....34 IN x 70 IN x 72 IN (WxDxH)
86 CM x 178 CM x 183 CM (WxDxH)

WEIGHT.....2200 LB (998 KG) APPROXIMATE

POWER.....230 VAC, 50/60 Hz, SINGLE PHASE, 30 A
DO NOT RUN AT 208 VAC

AIR INLET FILTRATION LEVEL.....0.3 MICRON

OXYGEN OUTLET.....1/4" FNPT BULKHEAD

CYLINDER OXYGEN FITTING.....CGA 870

AUXILIARY OUTLET FITTING.....1/4" FNPT (2 X)

POSITIONING.....NO CLOSER THAN 18 IN (46 CM) FROM BACK
WALL. LEAVE AT LEAST 18 IN (46 CM) ON EACH SIDE.

SPECIFICATIONS: ISO 8573.1 CLASS 1.4.1

DIRT PARTICLES.....0
1-5 MICRON

WATER PRESSURE.....<=/ +37°F (940 PPM AT 100 PSI)
DEWPOINT

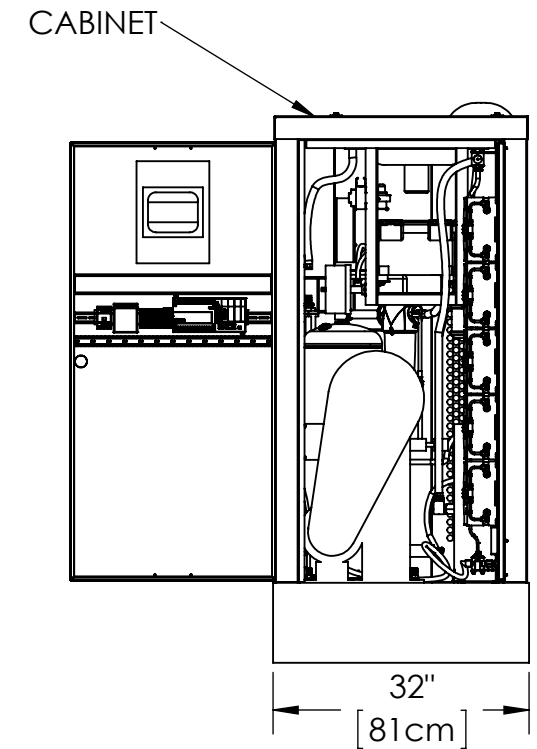
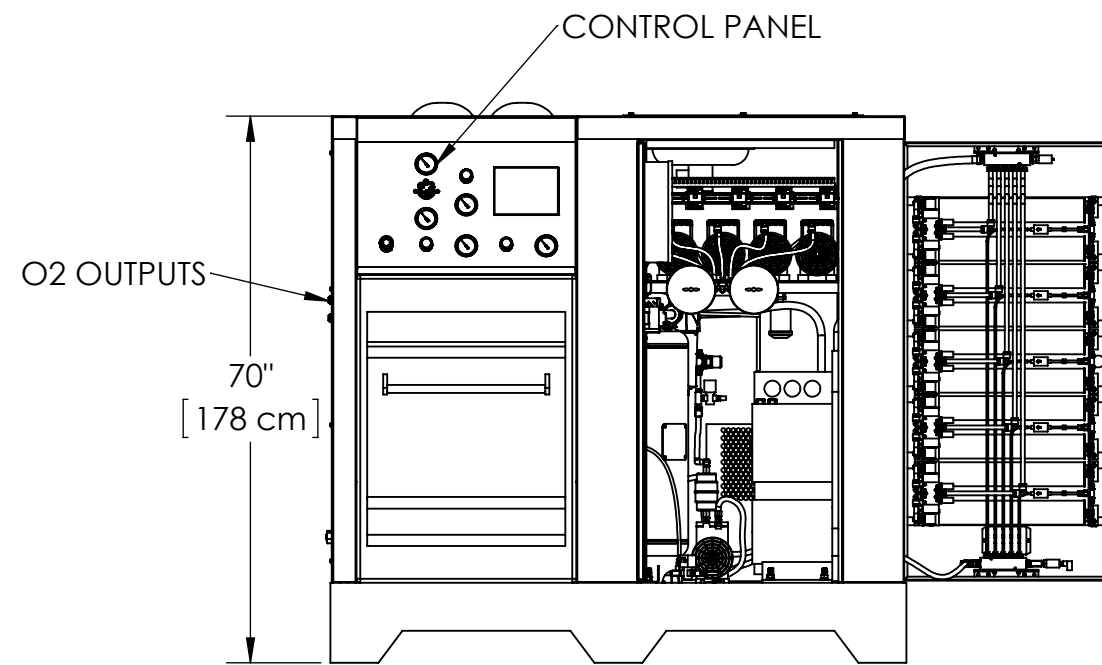
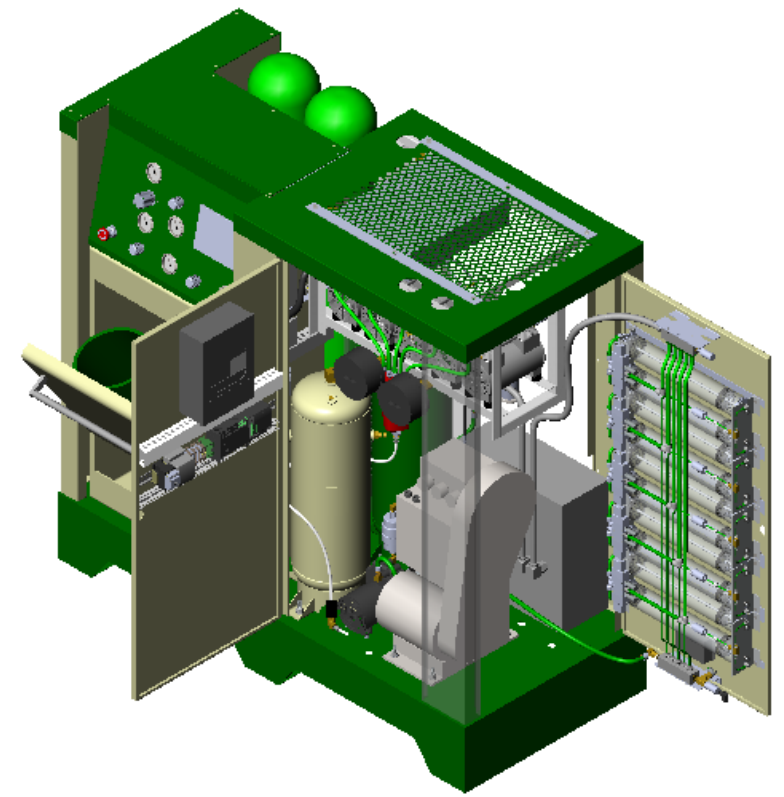
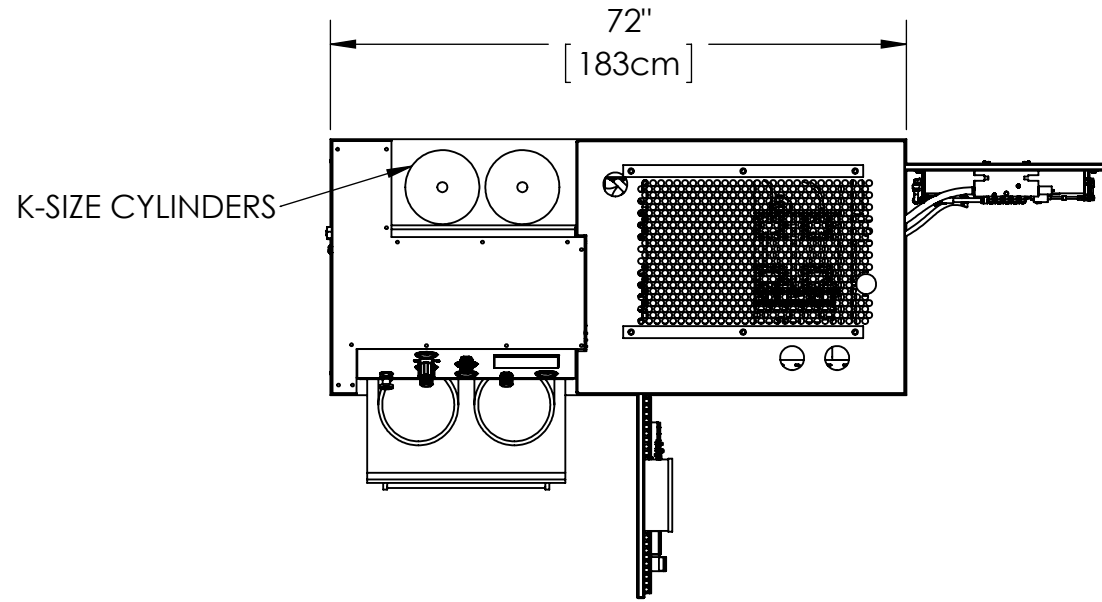
OIL CONCENTRATION.....<=/ 5 PPM
(INCLUDING VAPOR)

OPERATING CONDITIONS:
MINIMUM TEMPERATURE.....40 °F (5 °C)
MAXIMUM TEMPERATURE.....100 °F (38 °C)

NEAR SEA LEVEL CONDITIONS

RELATIVE DEWPOINT OF AIR.....37 °F AT 100 PSI

REV.	DESCRIPTION	DATE	APPR.	ECN
------	-------------	------	-------	-----



PROPRIETARY AND CONFIDENTIAL All drawings, descriptions, prints, specifications, etc. bearing this notice, together with the information, and ideas contained therein, are the sole and exclusive property of Audubon Machinery Corp. Any disclosure or use thereof not authorized in writing by Audubon Machinery Corp. is unlawful and will be prosecuted to the full extent of the law.		DRAWN: T. WHETSTONE CHKD: S. GILMOUR	DATE: 02/26/15 DATE: 02/26/15	PART NO: 10029	DRAWING TITLE: GENERAL ARRANGEMENT MOGS-50	
UNLESS OTHERWISE SPECIFIED DECIMALS: .XXX +/- .005 .XX +/- .02 FRACTIONS: +/- 1/16 ANGLES: +/- 1°		STOCK NO.	QTY.	DESCRIPTION	MATERIAL	
REMOVE ALL BURRS AND BREAK SHARP EDGES 1/16" MAX				DO NOT SCALE DRAWING		
AUDUBON MACHINERY CORP.				814 Wurlitzer Dr., N. Tonawanda, NY 14120		SHEET: 1 OF 1