

NOTES:

1. INTERPRET DIMENSIONS AND TOLERANCES PER ASME Y14.5.
2. SIEVE BEDS, ENCLOSURE, STORAGE TANK (FOR PNEUMATIC VALVES) WILL BE SHIPPED SEPARATELY AND ASSEMBLED ON SITE

| REV. | DESCRIPTION | DATE | APPR. | ECN |
|------|-------------|------|-------|-----|
|------|-------------|------|-------|-----|

SPECIFICATIONS: OG-5500

OXYGEN OUTPUT.....5500 SCFH @ 45 PSI
145 NM³/HR @ 3.1 BAR

OXYGEN DEWPOINT.....-100 °F (-73 °C)

OXYGEN PURITY.....93 % ± 3 %

AIR FLOW REQ.....1200 SCFM (AVG. FLOW) @ 90 PSI
2040 NM³/HR (AVG. FLOW) @ 6.2 BAR

AIR QUALITY REQ.....ISO 8573.1 CLASS 1.4.1 MINIMUM (SEE BELOW)

SOUND LEVELS.....86 DBA @ 1 M

DIMENSIONS.....149 IN x 99 IN x 175 IN (WxDxH)
380 CM x 250 CM x 450 CM (WxDxH)

WEIGHT.....16500 LB (7500 KG) APPROXIMATE

POWER.....110 VAC, 60 Hz (STANDARD) *or*
220 VAC, 50 Hz (OPTIONAL)

AIR INLET.....4 IN Ø PIPE NPT (FLANGE PORT)

OXYGEN OUTLET.....2 IN Ø PIPE NPT

RECOMMENDED MINIMUM AIR STORAGE TANK (AST) SIZE: 2200 GAL

RECOMMENDED MINIMUM OXYGEN STORAGE TANK (OST) SIZE: 1550 GAL

SPECIFICATIONS: ISO 8573.1 CLASS 1.4.1

DIRT PARTICLES 1-5 MICRON.....0

MAX PRESSURE DEWPOINT+37 °F (3 C) (940 PPM AT 100 PSIG)

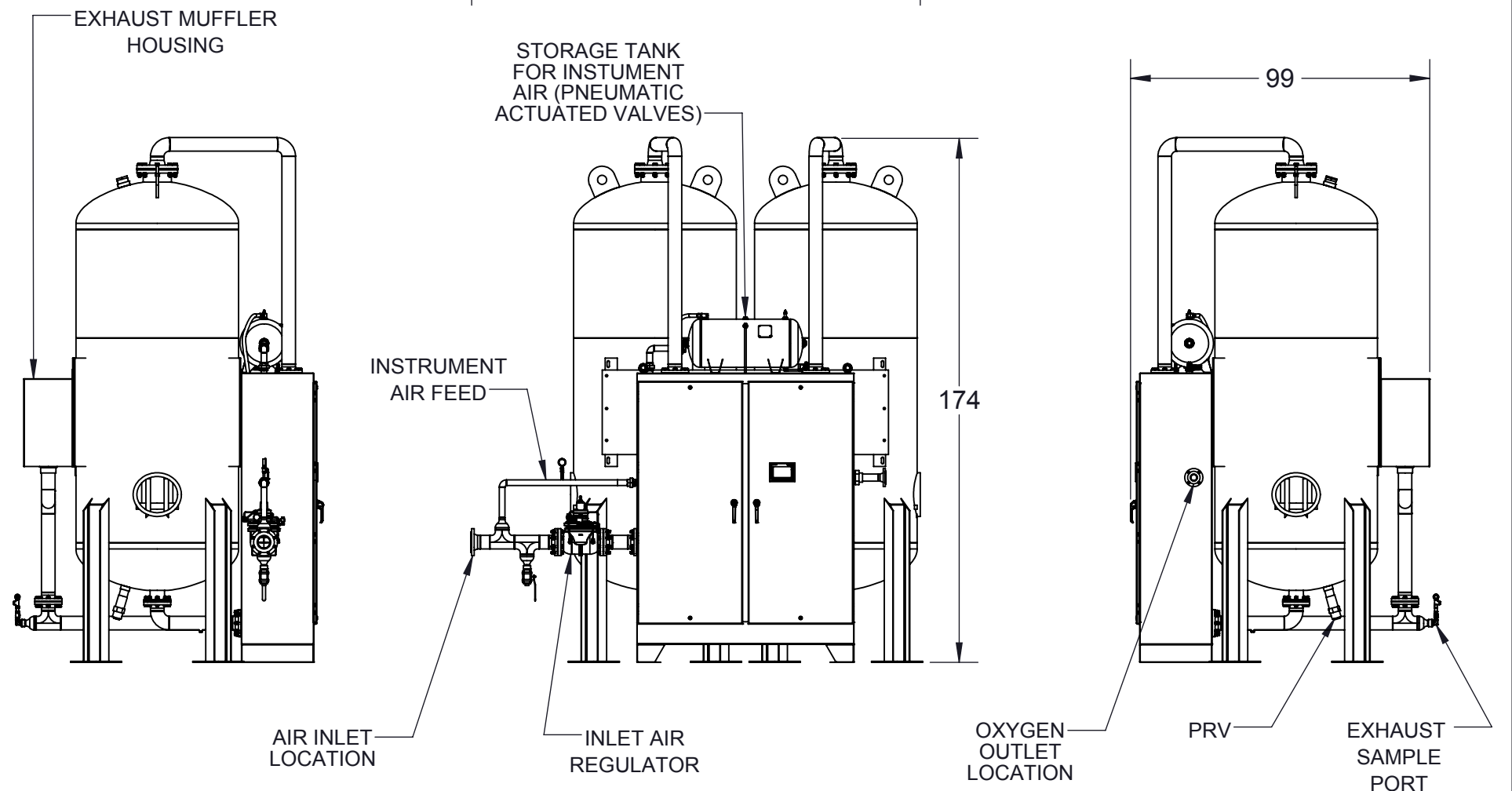
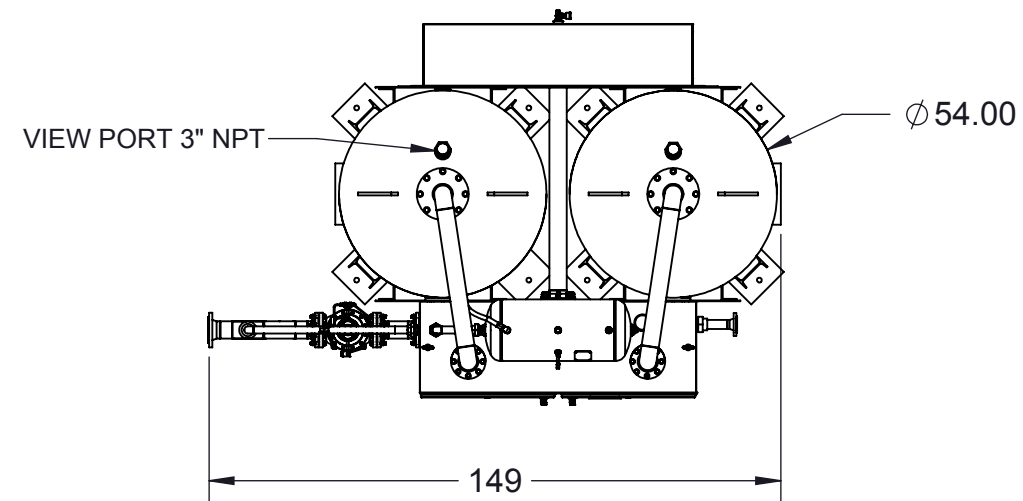
MAX OIL CONCENTRATION (INCLUDING VAPOR).....0.01 (<= 3 PPM)

OPERATING CONDITIONS:
MINIMUM TEMPERATURE.....40 °F (5 °C)
MAXIMUM TEMPERATURE.....100 °F (38 °C)

NEAR SEA LEVEL CONDITIONS

RELATIVE DEWPOINT OF AIR.....37 °F AT 100 PSI

VENTILATION REQUIREMENTS:
MINIMUM CLEARANCE.....12 FT (3.7 M)
AROUND UNIT



PROPRIETARY AND CONFIDENTIAL

All drawings, descriptions, prints, specifications, etc. bearing this notice, together with the information, and ideas contained therein, are the sole and exclusive property of Audubon Machinery Corp. Any disclosure or use thereof not authorized in writing by Audubon Machinery Corp. is unlawful and will be prosecuted to the full extent of the law.

AUDUBON MACHINERY CORP.

| | | | | | |
|-----------------------------------|---------------------|--|---|--|---------------|
| DRAWN: A. KAMBLE | DATE: 04/27/15 | PART NO: OG5500 S6 | DRAWING TITLE: O2 GENERATOR, 5500 SCFH AT 45 PSI, 24 VDC WITH 6 TRANSDUCERS | | |
| CHKD: S. GILMOUR | DATE: 05/01/15 | | STOCK NO. | QTY. | DESCRIPTION |
| UNLESS OTHERWISE SPECIFIED | | REMOVE ALL BURRS AND BREAK SHARP EDGES 1/16" MAX | | DO NOT SCALE DRAWING | |
| DECIMALS: .XXX +/- .005 | FRACTIONS: +/- 1/16 | AUDUBON MACHINERY CORP. | | 814 Wurlitzer Dr., N. Tonawanda, NY 14120 | SHEET: 1 OF 1 |
| ANGLES: +/- 1° | | | | | |

* A STANDARD CUBIC FOOT (SCF) IS A CUBIC FOOT OF GAS AT 14.7 PSIA (SEA LEVEL ATMOSPHERIC PRESSURE) AND 60 F