

NOTES:

1. INTERPRET DIMENSIONS AND TOLERANCES PER ASME Y14.5.

REV.	DESCRIPTION	DATE	APPR.	ECN
------	-------------	------	-------	-----

SPECIFICATIONS: OG20 OEMC 24V

OXYGEN OUTPUT.....20 SCFH @ 20 PSI
 0.5 Nm³/hr @ 1.4 BAR

OXYGEN DEWPOINT.....-60 °F (-51 °C)

OXYGEN PURITY.....93 % ± 3 %

OXYGEN OUTLET FITTING.....1/8" FNPT

AIR INLET FITTING.....1/4" FNPT

FEED AIR REQUIREMENTS.....COMPRESSOR NOT INCLUDED ON STANDARD MODELS
 4.9 SCFM (AVG. FLOW) FOR COMPRESSOR-LESS MODELS
 AT 30-35 PSIG INCOMING PRESSURE

AIR QUALITY REQ.....ISO 8573.1 CLASS 1.4.1 MINIMUM (SEE BELOW)

SOUND LEVELS:
 STANDARD70 dBA @ 1 M

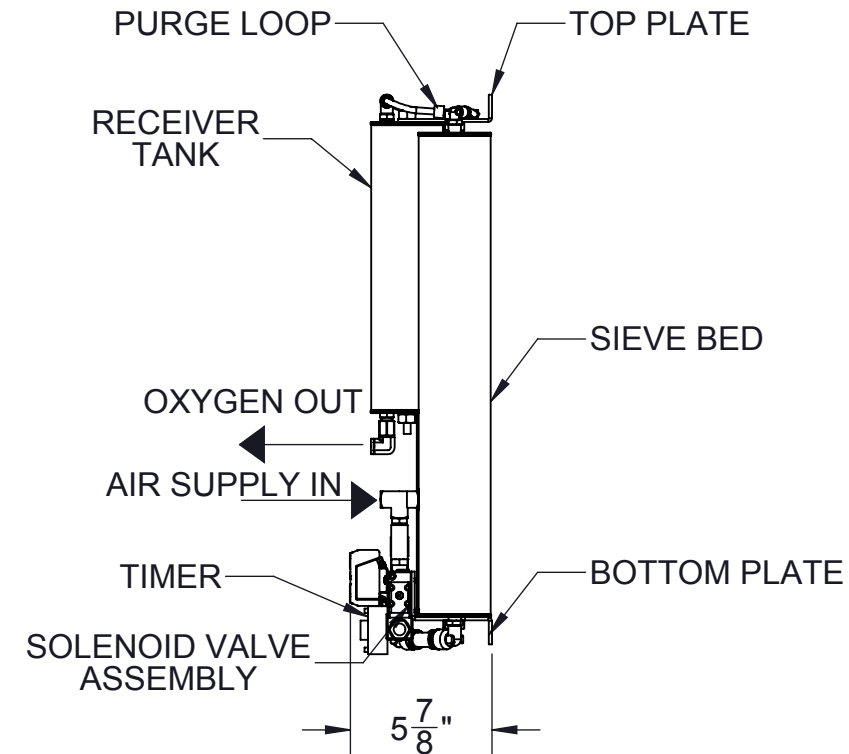
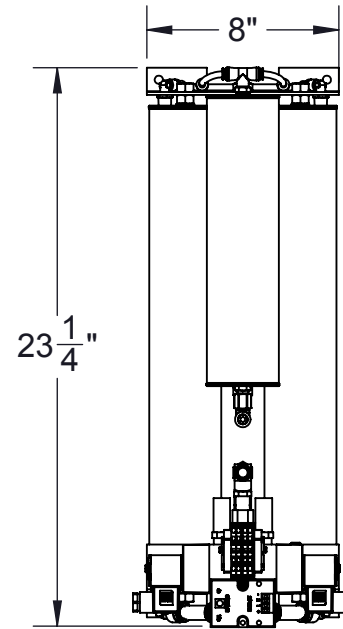
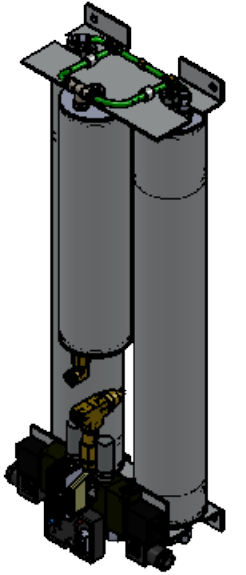
DIMENSIONS:
 STANDARD.....8 IN x 7 IN x 23.25 IN (WxDxH)
 (20.3 CM) x (14.9 CM) x (59.0 CM) (WxDxH)

APPROXIMATE WEIGHT:
 STANDARD (NO COVER, NO FEET).....20 LB (9.1 KG)

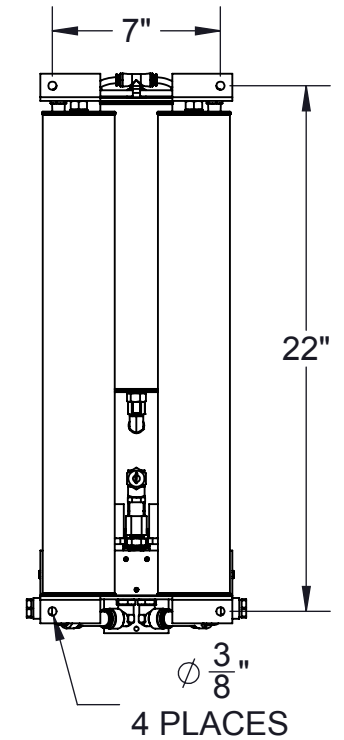
POWER REQUIREMENTS:
 STANDARD24 VDC, 0.2 A

RESPONSE TIME.....APPROXIMATELY 2 MINUTES TO ATTAIN
 MAXIMUM CONCENTRATION/PURITY AFTER
 INITIAL START-UP OR EXTENDED SHUTDOWN

POSITIONING.....THE UNIT MUST BE OPERATED IN AN UPRIGHT
 POSITION ONLY, WITH NO OBSTRUCTION
 BLOCKING AIR FLOW AROUND THE UNIT.
 6 IN MINIMUM CLEARANCE ON ALL SIDES.
 MAY BE FLOOR OR WALL MOUNTED.



MOUNTING DETAIL



SPECIFICATIONS: ISO 8573.1 CLASS 1.4.1

DIRT PARTICLES 1-5 MICRON.....0

WATER PRESSURE DEWPOINT+37°F (940 PPM AT 100 PSIG)

OIL CONCENTRATION
 (INCLUDING VAPOR).....0.01

* A STANDARD CUBIC FOOT (SCF) IS A CUBIC FOOT OF GAS AT
 14.7 PSIA (SEA LEVEL ATMOSPHERIC PRESSURE) AND 60 °F

PROPRIETARY AND CONFIDENTIAL
 All drawings, descriptions, prints, specifications, etc. bearing this notice, together with the information, and ideas contained therein, are the sole and exclusive property of Audubon Machinery Corp. Any disclosure or use thereof not authorized in writing by Audubon Machinery Corp. is unlawful and will be prosecuted to the full extent of the law.

AUDUBON **SMC**

DRAWN: T. WHETSTONE	DATE: 01/11/19	PART NO: 10040		DRAWING TITLE: OG20 OEMC 24V GENERAL ARRANGEMENT DRAWING	
CHKD: A. MOEHLAU	DATE: 01/11/19	STOCK NO.	QTY.	DESCRIPTION	MATERIAL
UNLESS OTHERWISE SPECIFIED		REMOVE ALL BURRS AND BREAK SHARP EDGES 1/16" MAX			
DECIMALS: .XXX +/- .005	FRACTIONS: +/- 1/16	DO NOT SCALE DRAWING		SHEET: 1 OF 1	
.XX +/- .02	ANGLES: +/- 1°	AUDUBON MACHINERY CORP. 814 Wurlitzer Dr., N. Tonawanda, NY 14120			