

SPECS: AST-660/OST-660

CAPACITY.....660 GALLONS (86.2 CU. FT.)

WEIGHT.....1400 LBS. (630 kg)

CODE.....ASME Sec. VIII Div 1

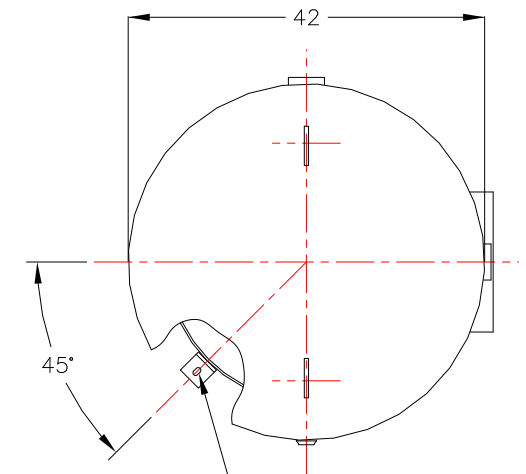
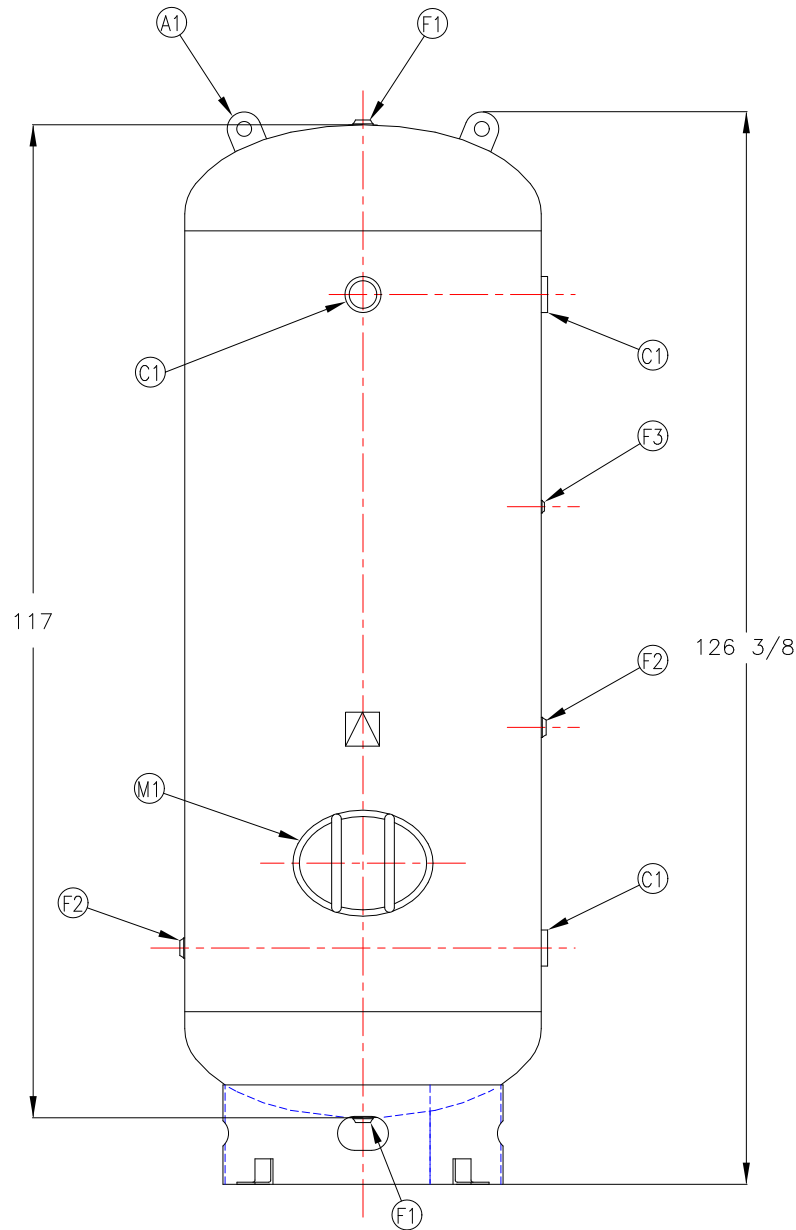
DIMENSIONS:

Diameter.....42" (106.68 cm)

Height (w/base).....Approx. 126"(320.04 cm)

PRESSURE RATING.....200 PSI (TESTED AT 260 PSI)

FITTING SIZES.....F1=1" NPT FLAT FLANGE  
 F2=1" NPT RADIAL FLANGE  
 F3=1/4" NPT FLAT FLANGE  
 C1=3" NPT HALF COUPLING  
 M1=12" x16" x3/4" x4" 300# MANWAY  
 A1=1/2" x4" x4" LIFT LUG



5/8" X 1 1/16" SLOT  
 (4) PLC'S EQ. SPACED  
 ON A 36 1/2" B.C.  
 (REF.)

REVISIONS

REV	DESCRIPTION	DATE	CHK	ECN #

**OGSI**  
 814 Wurliizer Drive  
 North Tonawanda, NY 14120  
 Phone: (716) 564-5165  
 Fax: (716) 564-5173

FILE NAME  
 AST\_0ST-660  
 GEN ARR.

PLOT SCALE  
 1 TO 1  
 ENGINEER  
 J. M. McMAHON

EFFECTIVITY OR SERIAL NO.  
 DRAWN BY  
 V.CAULEY  
 DATE  
 08/19/09  
 PAGE  
 1 OF 1

TITLE  
 GENERAL  
 ARRANGEMENT  
 AST\_0ST-660