

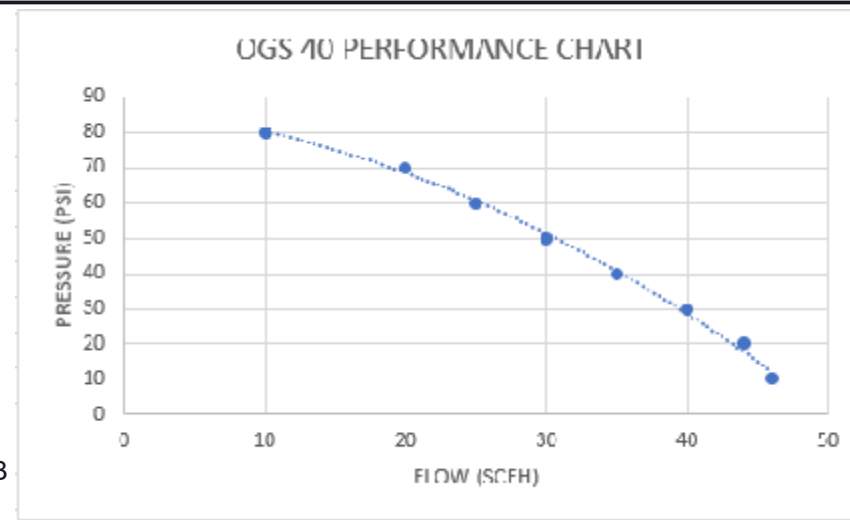
**NOTES:**

1. INTERPRET DIMENSIONS AND TOLERANCES PER ASME Y14.5.

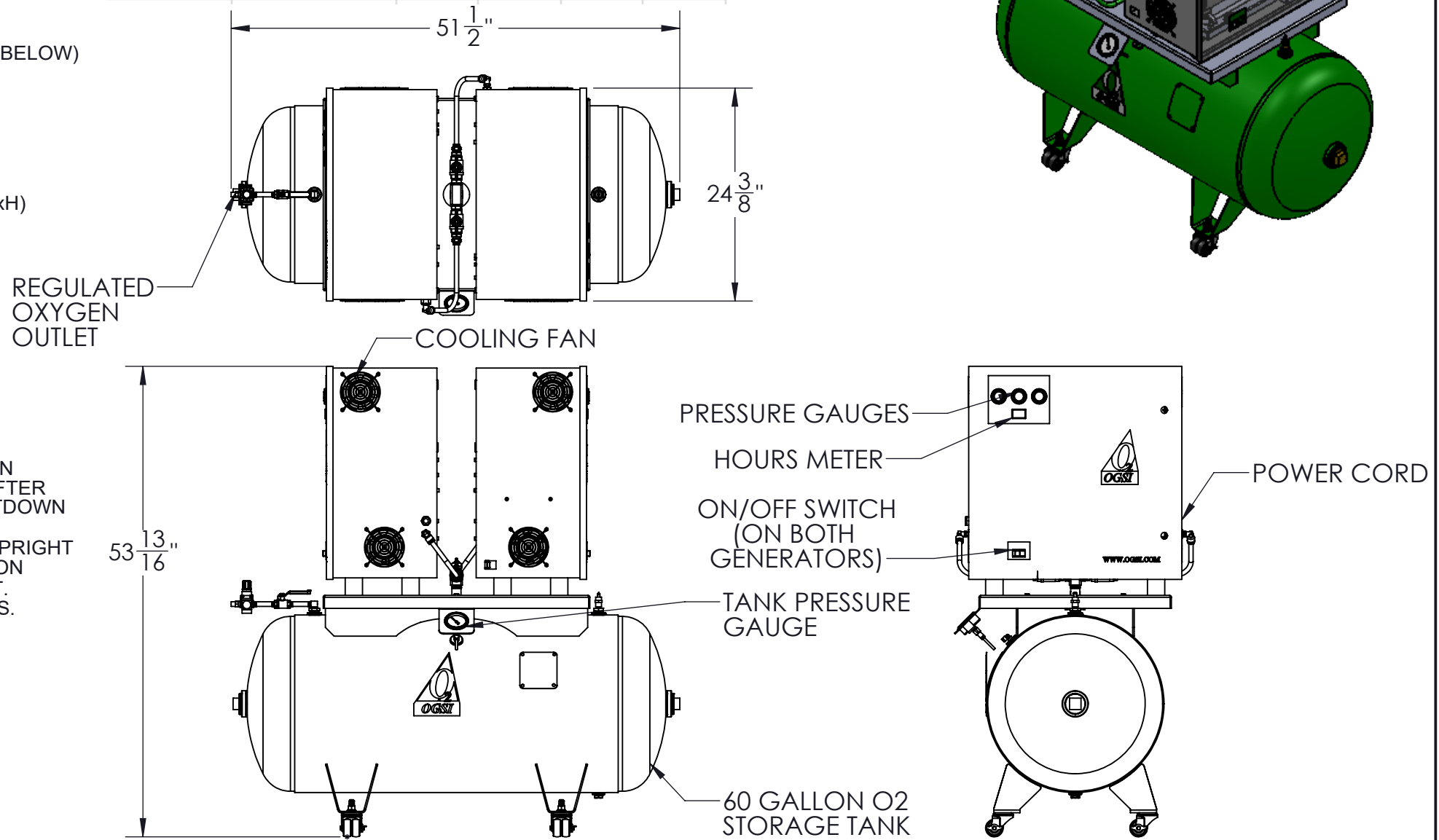
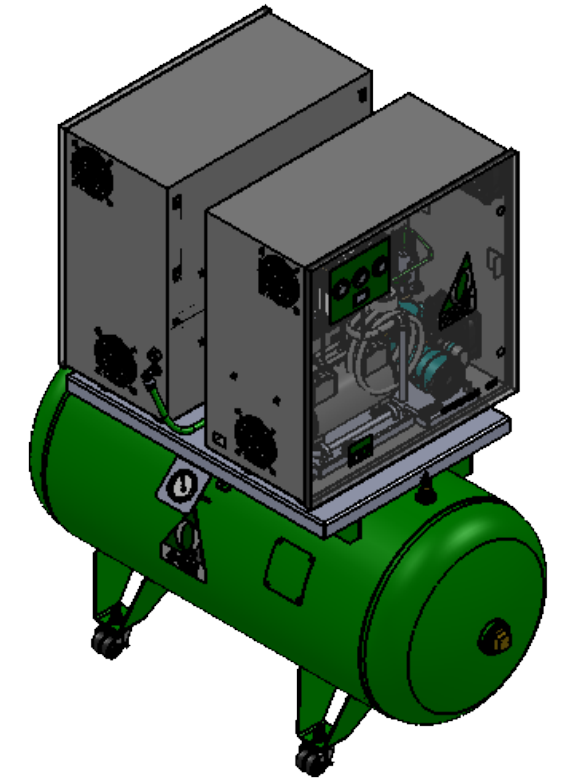
**SPECIFICATIONS: OGS-40**

OXYGEN OUTPUT.....	40 SCFH @ 0 - 100 PSI 0.96 Nm <sup>3</sup> /hr @ 0 - 6.9 BAR
OXYGEN DEWPOINT.....	-60 °F (-51 °C)
OXYGEN PURITY.....	93 % ± 3 %
OXYGEN OUTLET FITTING.....	B SIZE OXYGEN ADAPTER OR 1/4" ID HOSE BARB
AIR INLET FITTING.....	NONE
FEED AIR REQUIREMENTS.....	N/A: COMPRESSOR INCLUDED
AIR QUALITY REQ.....	ISO 8573.1 CLASS 1.4.1 MINIMUM (SEE BELOW)
SOUND LEVELS:	
STANDARD.....	68 dBA @ 1 m
DIMENSIONS:	
STANDARD.....	51.5 in x 24.3 in x 53.5 in (WxDxH) (130.8 cm) x (61.7 cm) x (135.9 cm) (WxDxH)
APPROXIMATE WEIGHT:	
STANDARD.....	350 lb (159 kg)
POWER REQUIREMENTS:	
STANDARD (NORTH AMERICA).....	115 VAC, 60 Hz, SINGLE PHASE, 15 A
OPTIONAL (INTERNATIONAL).....	230 VAC, 50 Hz, SINGLE PHASE, 7.5 A
OPTIONAL (INTERNATIONAL).....	230 VAC, 60 Hz, SINGLE PHASE, 7.5 A
RESPONSE TIME.....	APPROXIMATELY 2 MINUTES TO ATTAIN MAXIMUM CONCENTRATION/PURITY AFTER INITIAL START-UP OR EXTENDED SHUTDOWN
POSITIONING.....	THE UNIT MUST BE OPERATED IN AN UPRIGHT POSITION ONLY, WITH NO OBSTRUCTION BLOCKING AIR FLOW AROUND THE UNIT. 6 IN MINIMUM CLEARANCE ON ALL SIDES.
SPECIFICATIONS: ISO 8573.1 CLASS 1.4.1	
DIRT PARTICLES 1-5 MICRON.....	0
WATER PRESSURE DEWPOINT.....	+37°F (940 PPM AT 100 PSIG)
OIL CONCENTRATION (INCLUDING VAPOR).....	0.01

\* A STANDARD CUBIC FOOT (SCF) IS A CUBIC FOOT OF GAS AT 14.7 PSIA (SEA LEVEL ATMOSPHERIC PRESSURE) AND 60 °F



REV.	DESCRIPTION	DATE	APPR.	ECN
A	UPDATED TITLE BLOCK	12/29/21	RNL	21-12-019



<b>PROPRIETARY AND CONFIDENTIAL</b>		DRAWN: R. LARUFFA DATE: 12/29/21		PART NO: 10038		DRAWING TITLE: GENERAL ARRANGEMENT OGS40	
All drawings, descriptions, prints, specifications, etc. bearing this notice, together with the information, and ideas contained therein, are the sole and exclusive property of Novair USA Corp. Any disclosure or use thereof not authorized in writing by Novair USA Corp. is unlawful and will be prosecuted to the full extent of the law.		CHKD: T. WHETSTONE DATE: 12/29/21		STOCK NO.		QTY.	
		<b>UNLESS OTHERWISE SPECIFIED</b> DECIMALS: .XXX +/- .005 FRACTIONS: +/- 1/16 ANGLES: +/- 1°		REMOVE ALL BURRS AND BREAK SHARP EDGES 1/16" MAX		DO NOT SCALE DRAWING	
				AUDUBON MANUFACTURING CORP.		814 Wurlitzer Dr., N. Tonawanda, NY 14120	

C:\EPDM\Vault\OGS\Standard Products\General Arrangements\OGS30 TOP LEVEL ASSEMBLY