

NOTES:

1. INTERPRET DIMENSIONS AND TOLERANCES PER ASME Y14.5.

SPECS: AST-30/OST-30

CAPACITY.....30 GALLONS (4 CU. FT.)

WEIGHT.....85 LBS. (38.25 KG)

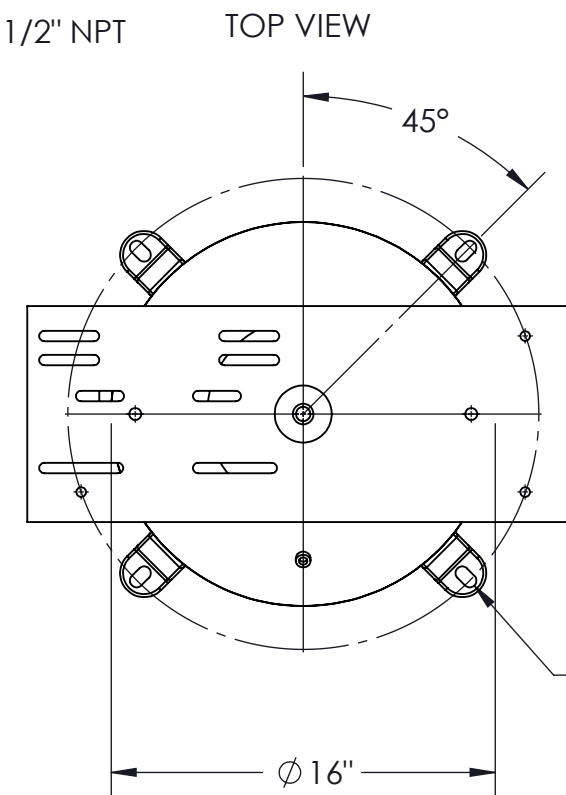
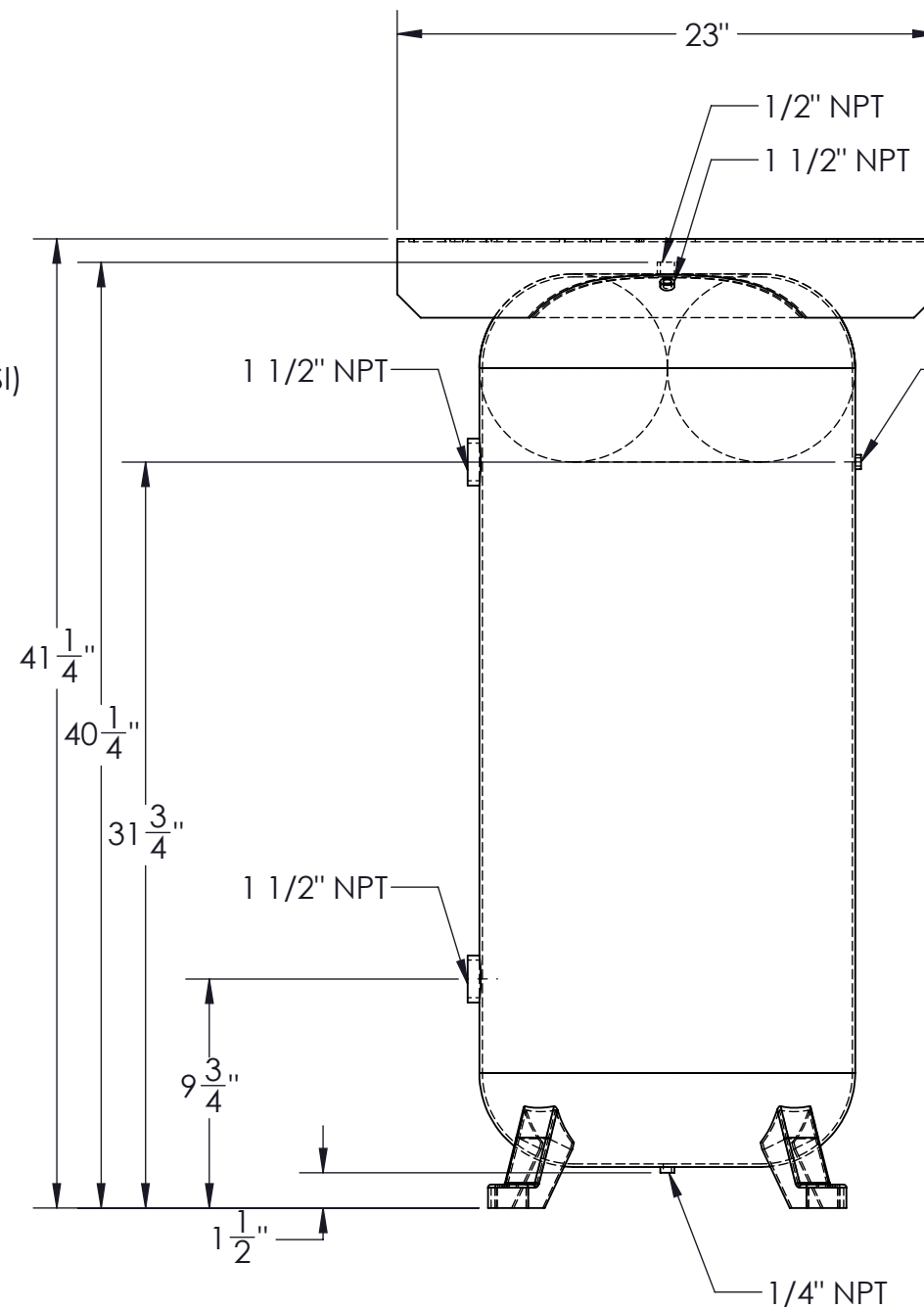
CODE.....ASME SEC 8 DIV 1

DIMENSIONS:

Diameter.....16" (40.64 cm)


Height (w/base).....Approx. 41" (105 cm)

PRESSURE RATING.....200 PSI (TESTED AT 260 PSI)



9/16 X 1 SLOT 4-PLACES
EQUALLY SPACED
ON A 18 3/4 DIA B.C.

PROPRIETARY AND CONFIDENTIAL
All drawings, descriptions, prints, specifications, etc. bearing this notice, together with the information, and ideas contained therein, are the sole and exclusive property of Novair USA Corp. Any disclosure or use thereof not authorized in writing by Novair USA Corp. is unlawful and will be prosecuted to the full extent of the law.



DRAWN: R.LARUFFA DATE: 12/30/21
CHKD: M.ORLOWSKI DATE: 12/30/21

UNLESS OTHERWISE SPECIFIED
DECIMALS: .XXX +/- .005 FRACTIONS: +/- 1/16
.XX +/- .02 ANGLES: +/- 1°

NOVAIR USA CORP.

| | | | |
|--|------|--|----------------------|
| PART NO: 10059 | | DRAWING TITLE: GENERAL ARRANGEMENT OG30 VERTICAL | |
| STOCK NO. | QTY. | DESCRIPTION | MATERIAL |
| REMOVE ALL BURRS AND BREAK SHARP EDGES 1/16" MAX | | | DO NOT SCALE DRAWING |
| 814 Wurlitzer Dr., N. Tonawanda, NY 14120 | | | SHEET: 1 OF 1 |