

NOTES:

1. INTERPRET DIMENSIONS AND TOLERANCES PER ASME Y14.5.
2. DIMENSIONS MAY VARY ± 0.25 IN (0.63 CM).

SPECIFICATIONS: MOGS-100

OXYGEN OUTPUT.....100 SCFH
50 LPM

OXYGEN PRESSURE.....HIGH PRESSURE: UP TO 2200 PSI (152 BAR)
LOW PRESSURE: UP TO 70 PSI (4.8 BAR)

OXYGEN DEWPOINT.....-100 °F (-73 °C)

OXYGEN PURITY.....93 % ± 3 %

CO₂ OUTPUT.....<=/ 300 PPM

CO OUTPUT.....<=/ 10 PPM

AIR QUALITY REQ.....ISO 8573.1 CLASS 1.4.1 MINIMUM (SEE BELOW)

SOUND LEVELS.....65 dBA @ 1 M (DOOR CLOSED)

DIMENSIONS.....32 IN x 84 IN x 70 IN (WxDxH)
81 CM x 213 CM x 178 CM (WxDxH)

WEIGHT.....2550 LB (1157 KG) APPROXIMATE

POWER.....230 VAC, 50/60 Hz, SINGLE PHASE, 30 A
DO NOT RUN AT 208 VAC

AIR INLET FILTRATION LEVEL.....0.3 MICRON

OXYGEN OUTLET.....1/4" FNPT BULKHEAD

CYLINDER OXYGEN FITTING.....CGA 870

AUXILIARY OUTLET FITTING.....1/4" FNPT (2 X)

POSITIONING.....NO CLOSER THAN 18 IN (46 CM) FROM BACK
WALL. LEAVE AT LEAST 18 IN (46 CM) ON EACH SIDE.

SPECIFICATIONS: ISO 8573.1 CLASS 1.4.1

DIRT PARTICLES.....0
1-5 MICRON

WATER PRESSURE.....<=/ +37°F (940 PPM AT 100 PSI)
DEWPOINT

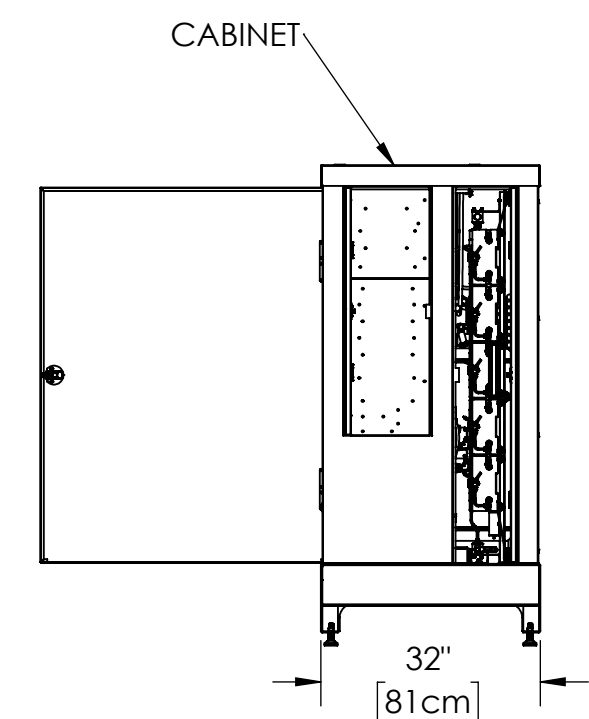
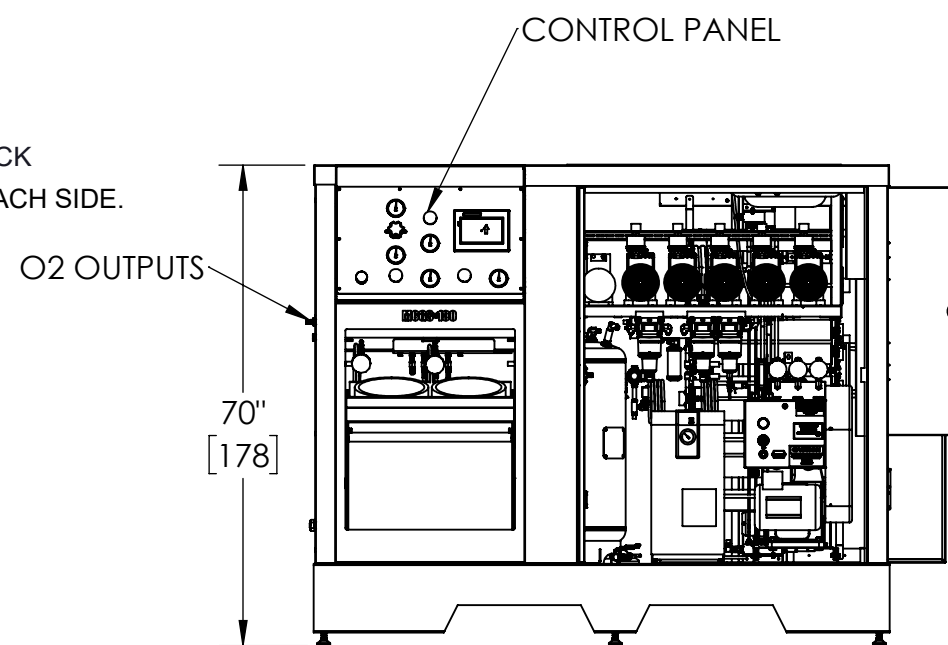
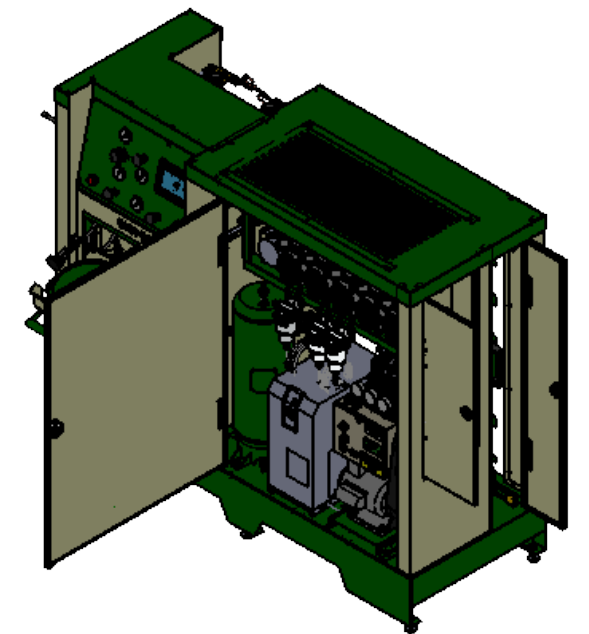
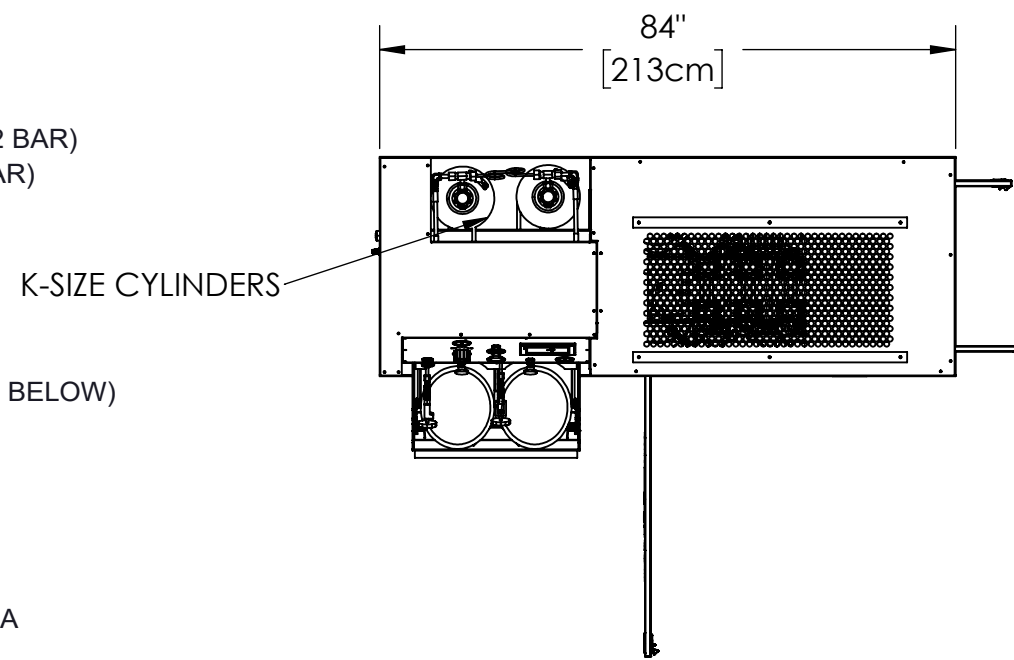
OIL CONCENTRATION.....<=/ 5 PPM
(INCLUDING VAPOR)

OPERATING CONDITIONS:
MINIMUM TEMPERATURE.....40 °F (5 °C)
MAXIMUM TEMPERATURE.....100 °F (38 °C)

NEAR SEA LEVEL CONDITIONS

RELATIVE DEWPOINT OF AIR.....37 °F AT 100 PSI

REV.	DESCRIPTION	DATE	APPR.	ECN
A	SEE ECN 19-10-001	11/08/19	NPW	1910001
B	UPDATED TITLE BLOCK AND DIMENSION ON SHEET	12/28/21	RNL	21-12-019



<p>PROPRIETARY AND CONFIDENTIAL</p> <p>All drawings, descriptions, prints, specifications, etc. bearing this notice, together with the information, and ideas contained therein, are the sole and exclusive property of Novair USA Corp. Any disclosure or use thereof not authorized in writing by Novair USA Corp. is unlawful and will be prosecuted to the full extent of the law.</p>	DRAWN: N. WALKER DATE: 08/20/20 CHKD: T. WHETSTONE DATE: 08/20/20	PART NO: MOGS 100 24V		DRAWING TITLE: MOBILE OXYGEN GENERATOR SYSTEM, 100 SCFH, 24V, 50-60Hz		
	<p>UNLESS OTHERWISE SPECIFIED</p> DECIMALS: .XXX +/- .005 FRACTIONS: +/- 1/16 .XX +/- .02 ANGLES: +/- 1°		STOCK NO.	QTY.	DESCRIPTION	MATERIAL
	REMOVE ALL BURRS AND BREAK SHARP EDGES 1/16" MAX					DO NOT SCALE DRAWING
	NOVAIR USA CORP. 814 Wurlitzer Dr., N. Tonawanda, NY 14120				SHEET: 1 OF 1	

C:\EPDM\Vault\CGSI\Standard Products\General Arrangements\M00268\M00268V00 GEN ARR REV A