

NOTES:

1. INTERPRET DIMENSIONS AND TOLERANCES PER ASME Y14.5.
2. DIMENSIONS MAY VARY ± 0.25 IN (0.63 CM).

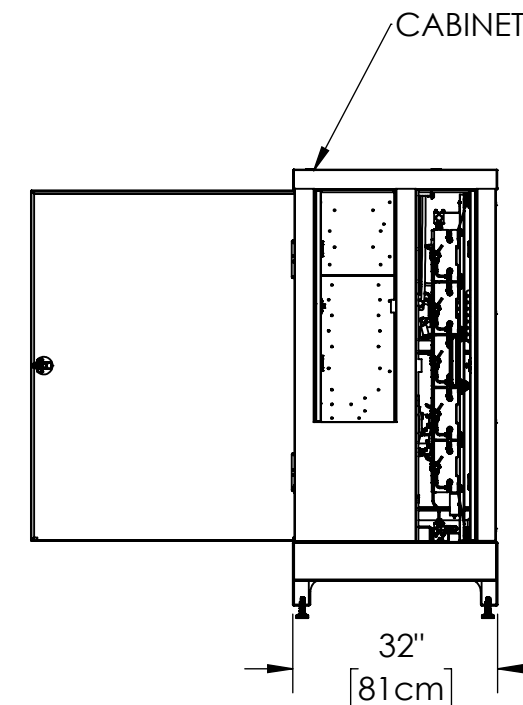
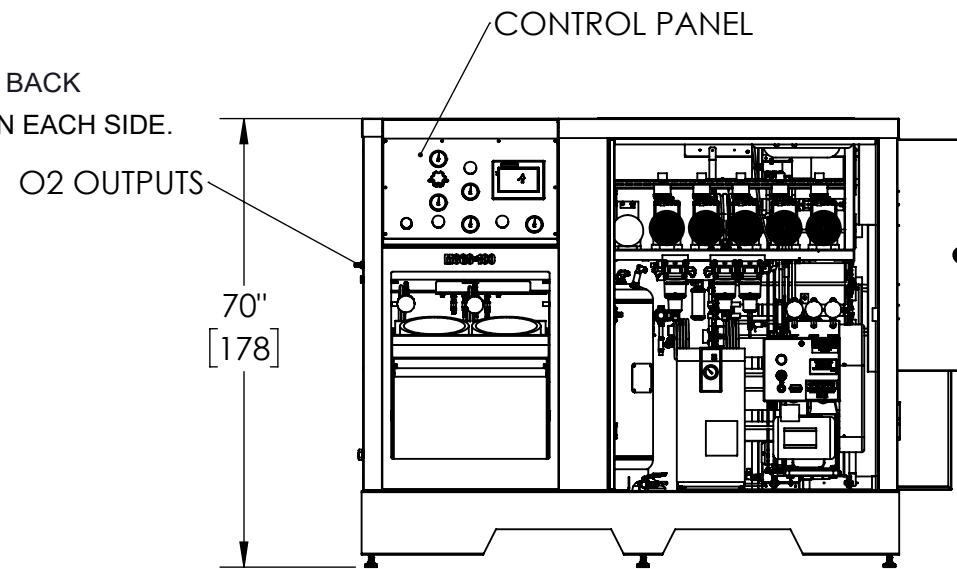
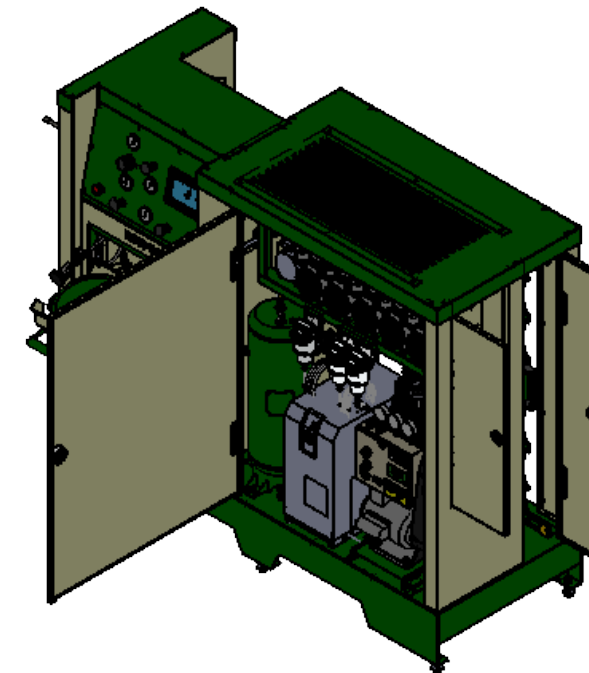
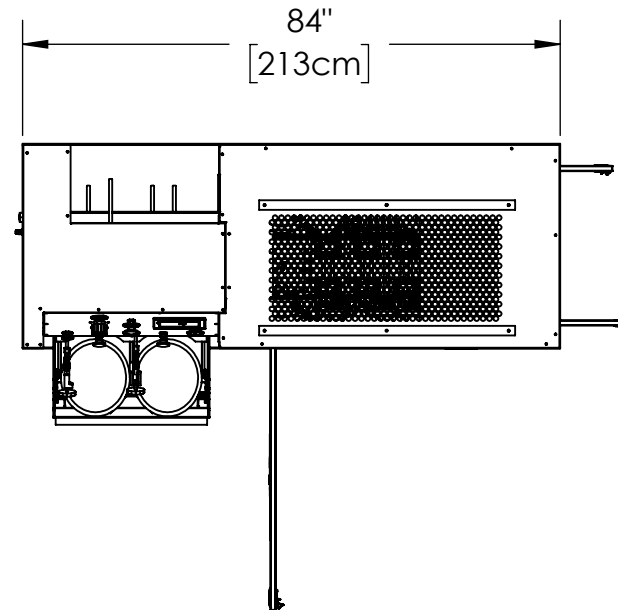
REV.	DESCRIPTION	DATE	APPR.	ECN
A	UPDATED TITLE BLOCK & DIMENSIONS	12/28/2021	RNL	21-12-019

SPECIFICATIONS: MOGS-50

- OXYGEN OUTPUT.....50/100 SCFH
25 LPM
- OXYGEN PRESSURE.....HIGH PRESSURE: UP TO 2200 PSI (152 BAR)
LOW PRESSURE: UP TO 70 PSI (4.8 BAR)
- OXYGEN DEWPOINT.....-100 °F (-73 °C)
- OXYGEN PURITY.....93 % ± 3 %
- CO₂ OUTPUT.....<=/ 300 PPM
- CO OUTPUT.....<=/ 10 PPM
- AIR QUALITY REQ.....ISO 8573.1 CLASS 1.4.1 MINIMUM (SEE BELOW)
- SOUND LEVELS.....65 dBA @ 1 M (DOOR CLOSED)
- DIMENSIONS.....32 IN x 84 IN x 70 IN (WxDxH)
81 CM x 213 CM x 178 CM (WxDxH)
- WEIGHT.....2200 LB (998 KG) APPROXIMATE
- POWER.....230 VAC, 50/60 Hz, SINGLE PHASE, 30 A
DO NOT RUN AT 208 VAC
- AIR INLET FILTRATION LEVEL.....0.3 MICRON
- OXYGEN OUTLET.....1/4" FNPT BULKHEAD
- CYLINDER OXYGEN FITTING.....CGA 870
- AUXILIARY OUTLET FITTING.....1/4" FNPT (2 X)
- POSITIONING.....NO CLOSER THAN 18 IN (46 CM) FROM BACK
WALL. LEAVE AT LEAST 18 IN (46 CM) ON EACH SIDE.

SPECIFICATIONS: ISO 8573.1 CLASS 1.4.1

- DIRT PARTICLES.....0
1-5 MICRON
- WATER PRESSURE.....<=/ +37°F (940 PPM AT 100 PSI)
DEWPOINT
- OIL CONCENTRATION.....<=/ 5 PPM
(INCLUDING VAPOR)
- OPERATING CONDITIONS:
MINIMUM TEMPERATURE.....40 °F (5 °C)
MAXIMUM TEMPERATURE.....100 °F (38 °C)
- NEAR SEA LEVEL CONDITIONS
- RELATIVE DEWPOINT OF AIR.....37 °F AT 100 PSI



PROPRIETARY AND CONFIDENTIAL All drawings, descriptions, prints, specifications, etc. bearing this notice, together with the information, and ideas contained therein, are the sole and exclusive property of Audubon Machinery Corp. Any disclosure or use thereof not authorized in writing by Audubon Machinery Corp. is unlawful and will be prosecuted to the full extent of the law.		DRAWN: T. WHETSTONE DATE: 02/26/15	PART NO: 10029		DRAWING TITLE: GENERAL ARRANGEMENT MOGS-50/100	
		CHKD: S. GILMOUR DATE: 02/26/15	STOCK NO.	QTY.	DESCRIPTION	MATERIAL
UNLESS OTHERWISE SPECIFIED DECIMALS: .XXX +/- .005 FRACTIONS: +/- 1/16 ANGLES: +/- 1°		REMOVE ALL BURRS AND BREAK SHARP EDGES 1/16" MAX				DO NOT SCALE DRAWING
AUDUBON MACHINERY CORP.			814 Wurlitzer Dr., N. Tonawanda, NY 14120			SHEET: 1 OF 1